



greenlux
cost reduction LED lighting

Space Series Quad LED Downlight

Available in 54W ~ 80W
80% lumen maintenance at 50,000 hours

- No UV or IR rays. No mercury
- Dimmable and Non-Dimmable option available
- Replaces traditional recessed lights
- High quality Sharp COB chipset
- High light output
- High quality Aluminum housing
- IP44 Rated
- 3 Years Warranty
- Applications include shopping centres, walkways, hotels, restaurants, museums & display cases



Specifications

| | |
|--------------------------|-------------------------------|
| Colour Range | 3000-5500k |
| Luminous Flux | 5400lm / 8000lm |
| Power Consumption | 54W / 80W |
| Input Voltage | 100V/240V AC |
| Output Voltage | 36V |
| Dimmable | Triac / 0-10V / Dali (option) |
| Operating Temp. | -20°C to 40°C |
| Beam angle *10% | 60° |
| Ra | >90 |
| Power Factor | >0.95 |
| Chipset | Sharp COB |
| Driver | Class II |

Dimensions & Materials

| | | |
|--------------------------------|--|----------|
| Product Dimensions (mm) | 54W | Ø230*110 |
| | 80W | Ø270*162 |
| Cutout (mm) | 54W | Ø215 |
| | 80W | Ø250 |
| Housing Material | Aluminum Alloy | |
| Reflector | 1090 Aluminum, polished anodizing & clear diffuser | |
| Housing Colour | White/Black | |

Certification and Safety

| | |
|-----------------------|--------------------------|
| Certifications | IP44, CE, RoHS, SAA, RCM |
| Environment | Indoor Location |
| Warranty | 3 years |





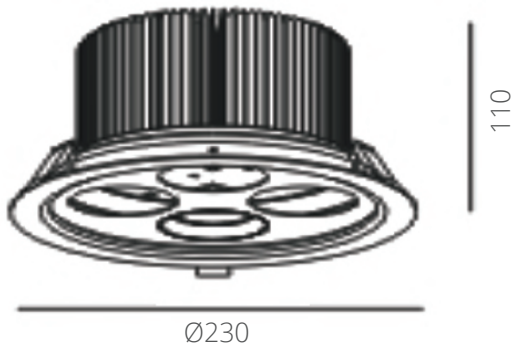
greenlux
cost reduction LED lighting

Space Series Quad LED Downlight

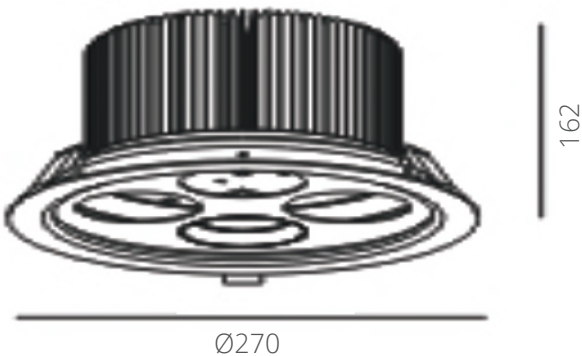
Available in Multiple Wattage
80% lumen maintenance at 50,000 hours

Dimensions

4*13W

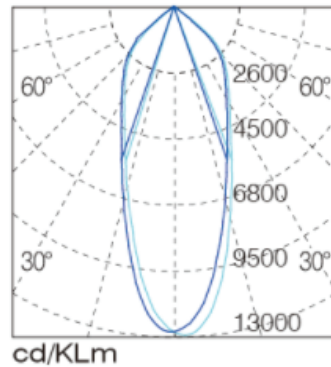


4*20W



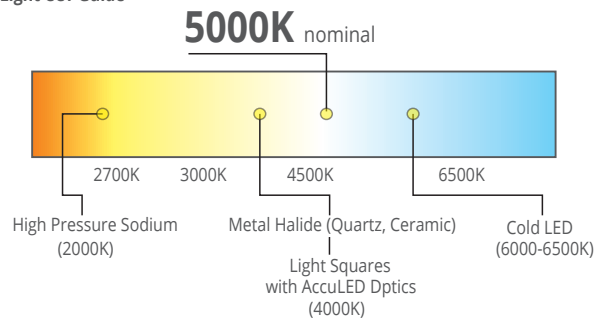
Photometric

80W 39°



| H(m) | E(lx) | D(m) |
|-------------------|-----------|--------|
| Beam Angle: 38.6° | | |
| 1 m | 12305 lx | 0.72 m |
| 2 m | 3070.1 lx | 1.40 m |
| 3 m | 1365.3 lx | 2.10 m |
| 4 m | 769.52 lx | 2.80 m |
| 5 m | 491.50 lx | 3.50 m |

Light CCT Guide



Model

| Model# | Dimensions (mm) | Cutout (mm) | Beam Angle | CCT | Lumens | Wattage | LED | Dimmer (option) |
|-----------|-----------------|-------------|------------|------------|--------|---------|-----------|-----------------|
| GDSPA-54W | Ø230*110 | Ø215 | 60° | 3000-5500k | 5400 | 4*13W | Sharp COB | Triac 0-10V |
| GDSPA-80W | Ø270*162 | Ø250 | 60° | 3000-5500k | 8000 | 4*20W | Sharp COB | Dali |