



greenlux
cost reduction LED lighting

Space Series Triad LED Downlight

Available in 39W ~ 60W
80% lumen maintenance at 50,000 hours

- No UV or IR rays. No mercury
- Dimmable and Non-Dimmable option available
- Replaces traditional recessed lights
- High quality Sharp COB chipset
- High light output
- High quality Aluminum housing
- IP44 Rated
- 3 Years Warranty
- Applications include shopping centres, walkways, hotels, restaurants, museums & display cases



Specifications

Colour Range	3000-5500k
Luminous Flux	3510lm / 5400lm
Power Consumption	39W / 60W
Input Voltage	100V/240V AC
Output Voltage	36V
Dimmable	Triac / 0-10V / Dali (option)
Operating Temp.	-20°C to 40°C
Beam angle *10%	60°
Ra	>90
Power Factor	>0.95
Chipset	Sharp COB
Driver	Class II

Dimensions & Materials

Product Dimensions (mm)	Ø230*110
Cutout (mm)	Ø215
Housing Material	Aluminum Alloy
Reflector	1090 Aluminum, polished anodizing & clear diffuser
Housing Colour	White/Black

Certification and Safety

Certifications	IP44, CE, RoHS, SAA, RCM
Environment	Indoor Location
Warranty	3 years





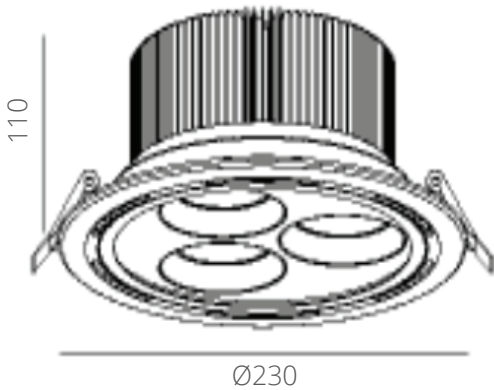
greenlux
cost reduction LED lighting

Space Series Triad LED Downlight

Available in Multiple Wattage
80% lumen maintenance at 50,000 hours

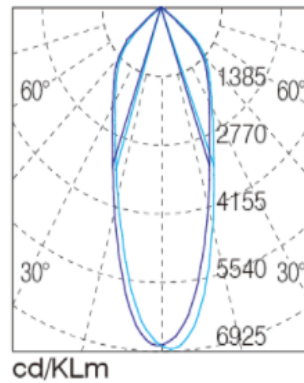
Dimensions

Dimension: Ø230*110mm
Cutout: Ø215mm



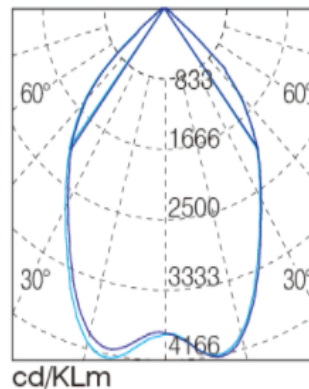
Photometric

60W 39°



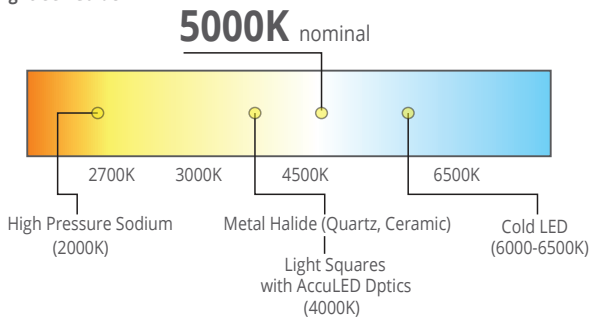
H(m)	E(lx)	D(m)
		Beam Angle: 38.6°
1 m	6850.1 lx	0.70 m
2 m	1712.5 lx	1.40 m
3 m	761.12 lx	2.10 m
4 m	428.13 lx	2.80 m
5 m	274.00 lx	3.50 m

60W 75°



H(m)	E(lx)	D(m)
		Beam Angle: 75.0°
1 m	3821.6 lx	1.46 m
2 m	955.39 lx	2.92 m
3 m	424.62 lx	4.38 m
4 m	238.85 lx	5.84 m
5 m	152.86 lx	7.30 m

Light CCT Guide



Model

Model#	Dimensions (mm)	Cutout (mm)	Beam Angle	CCT	Lumens	Wattage	LED	Dimmer (option)
GDSPA-39W	Ø230*110	Ø215	60°	3000-5500k	3510	3*13W	Sharp COB	Triac 0-10V
GDSPA-60W	Ø230*110	Ø215	60°	3000-5500k	5400	3*20W	Sharp COB	Dali