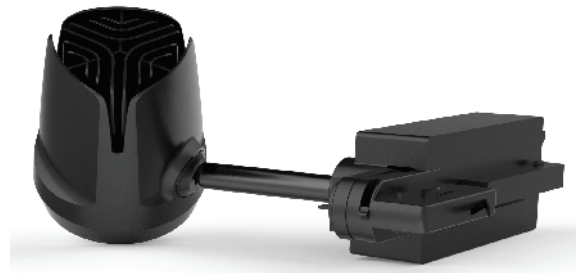




greenlux
cost reduction LED lighting

Canaan Series 02 LED Track Light



- 360° horizontal & 180° vertical rotatable
- High quality COB light source
- Even light output with anti-glare & dark spot
- Performs high efficiency and energy saving, Up to 80% energy saving compared to standard CFL
- Replaces traditional track lights
- IP20 for indoor use only
- 3 Years Warranty
- Applications include shopping centres, galleries, cafes, hotels, theatres, museums & display cases

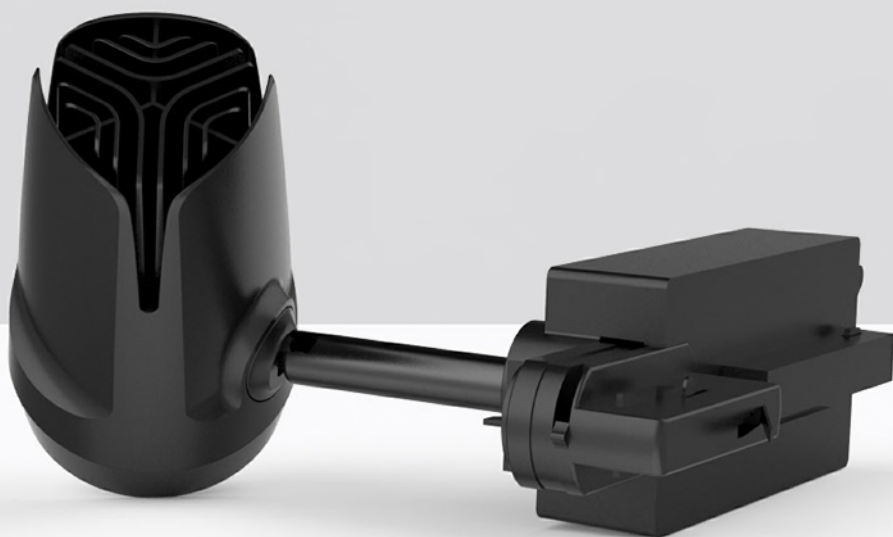
Specifications

Colour Range	2700 ~ 5000K
Lumens	100lm/W
Power Consumption	25W / 35W
Input Voltage	100V/240V AC
Chipset	COB
Beam angle	15° / 24° / 36°

Power Factor	>0.9
Dimmable	Triac Dimmer (option)
CRI	>80
IP	20
Product Dimensions (mm)	25W 207*90*247 35W 207*105*262
Housing Materials	Aluminum Die-casting
Housing Colour	White / Black

EXCELLENT HEAT DISSIPATION

even light output without glare & dark spot.



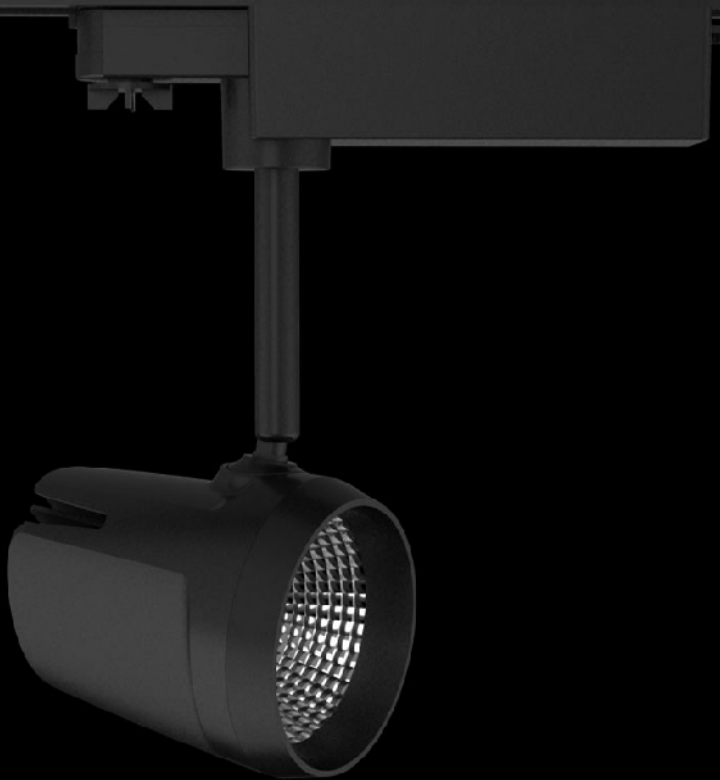
NEW DESIGN

LED Track light adopts CREE LEDs with excellent color rendering index to increase the color fidelity of the target illuminated object.



ADJUSTABLE LIGHTING

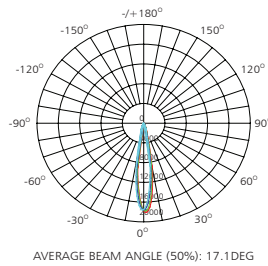
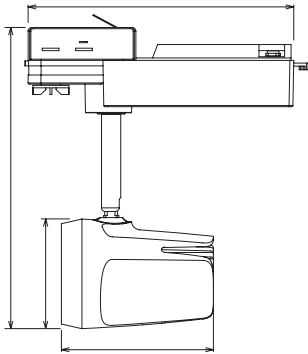
orientation with 360 degree in horizontal direction and 180 in vertical direction provided





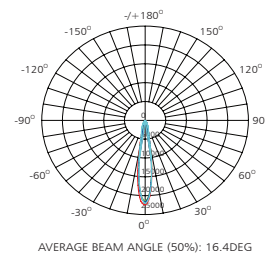
greenlux
cost reduction LED lighting

Canaan Series 02 LED Track Light



UNIT: cd

- C0/180, 17.2 deg
- C30/210, 17.1 deg
- C60/240, 17.1 deg
- C90/270, 17.1 deg



UNIT: cd

- C0/180, 16.9 deg
- C30/210, 16.6 deg
- C60/240, 16.2 deg
- C90/270, 16.0 deg

Model	Installation	Product size (mm)	LED	Beam Angle	Lumen (lm)
GUCAN-25W-02	Track Mounted	207*90*247	COB	15°/24°/36°	2600
GUCAN-35W-02	Track Mounted	207*105*262	COB	15°/24°/36°	3450

