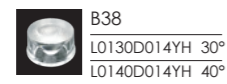


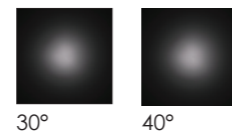
LED Colour Temperature

- 2000K
- 3000K
- 6000K

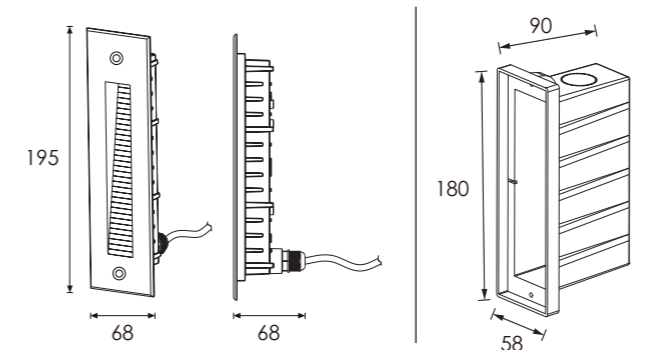
Optics



B38



Outer Dimensions



Mounting sleeve 076#

Material specifications

| | |
|-----------------------|---|
| Housing | 12" Die-casting grey powder coated aluminum T=60-80um Adhesion of ISO class 1/ASTM class 4B |
| Front cover | 12" Die-casting aluminum |
| Light Window | Tempered glass T=2mm |
| Cable gland | IP68 PG-9 PA66 |
| Gasket | Molding shaped silicone seal |
| LED Driver | Constant Voltage Input, Constant Current Output |
| Operating temperature | -20°C~40°C |
| Power Cable | H05RN-F 2X1.0mm ² L=0.5m (low voltage) H05RN-F 3X1.0mm ² L=0.5m (high voltage) |
| Mounting sleeve | ABS 076# |
| Dimmable Support | Triac PWM 1-10V Dali |

Front Cover Color Option

- Basic
 - Sanded Dark Grey KAP 7037
 - Silver Grey KAP 9022
 - Sanded Black RAL9005
- Secondary

Mounting sleeve characteristic

The above picture – the supporting plate "A" is used for preventing deformation of the sleeve during the construction installation process.

Please remove the supporting plate "A" from the mounting sleeve before the lamp installation.

High voltage

| Item | Light Source | Lens | The manufacturer selected lens degree(°)θ1/2 | Input voltage(V) | Typical operating current(mA) | Typical consumption(W) | Typical luminance(lm) | IK Rate |
|------------|--------------|------|--|-------------------|--------------------------------------|--|----------------------------------|---------|
| GKB1FL0157 | 1X2W | B38 | 30° | 24V DC 120/240 | 2.4V = 105 120V = 40 240V = 25 | 2.4V = 2.5 120V = 2.7 240V = 2.8 | Cool white =64 Warm white =55 | 10 |

