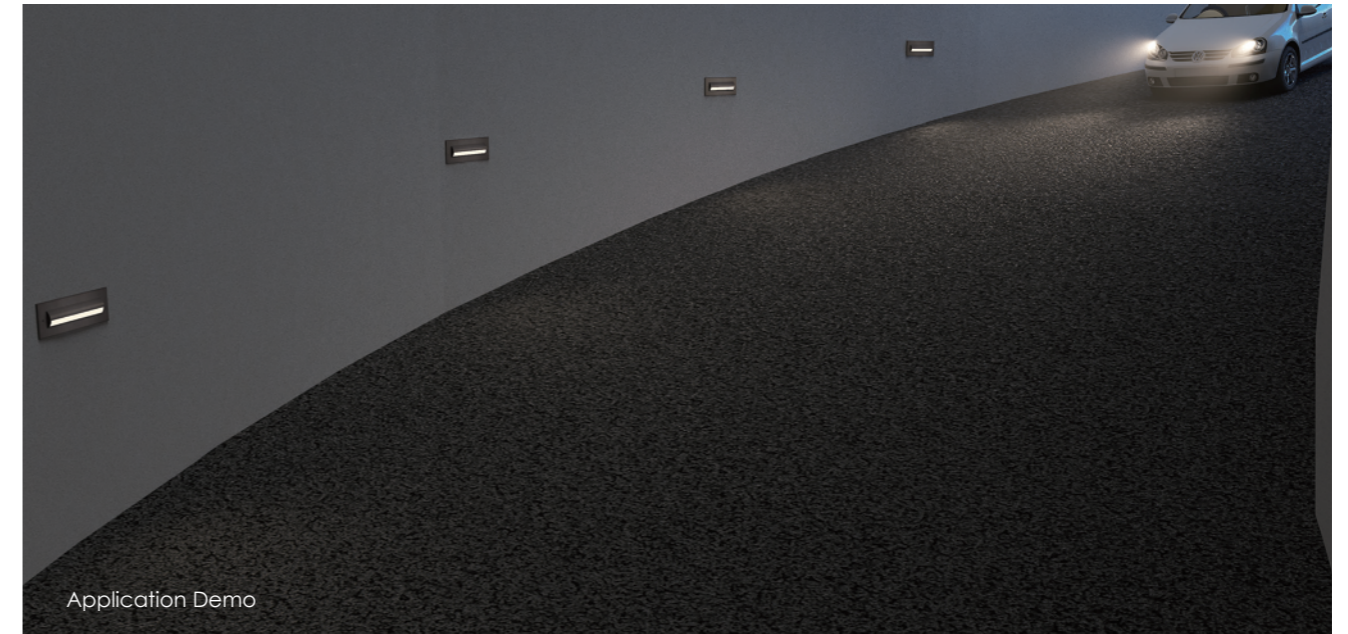
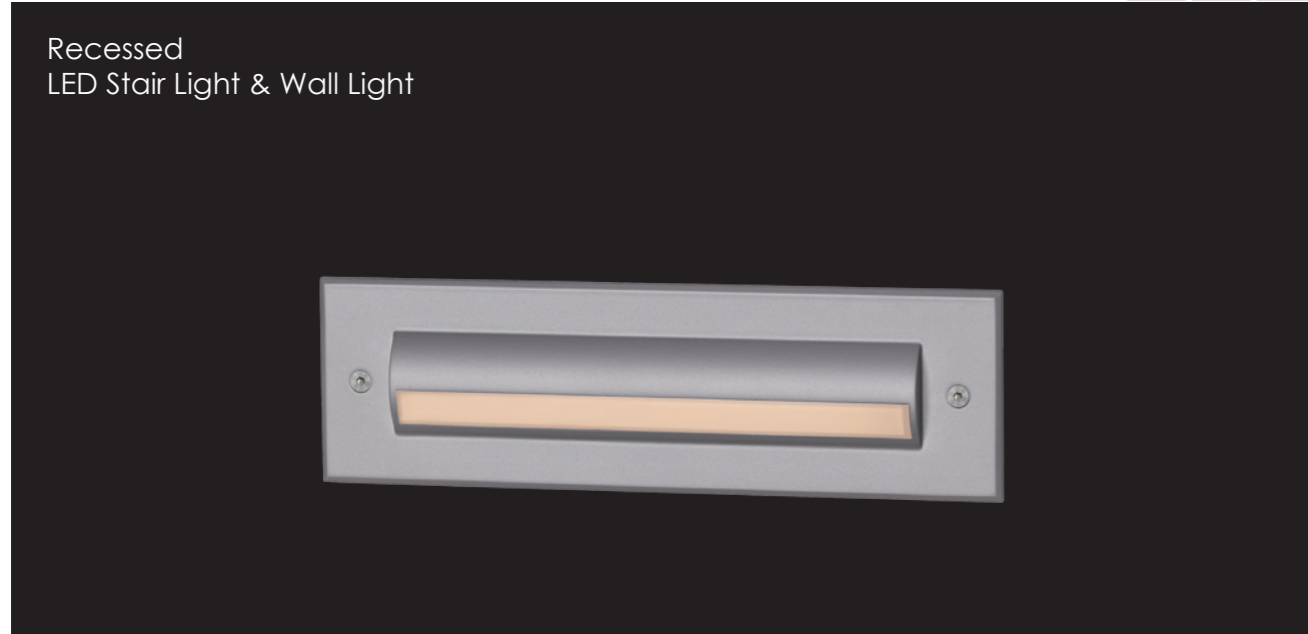




Recessed LED Stair Light & Wall Light



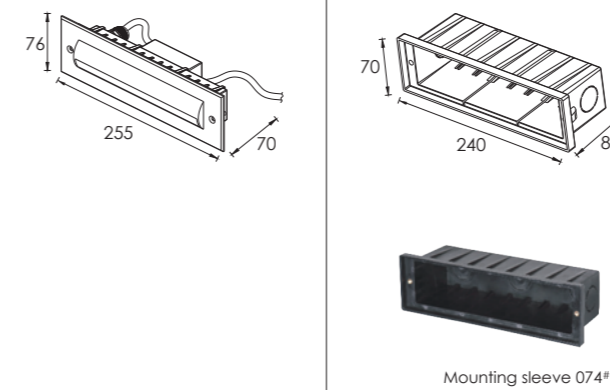
LED Colour Temperature

- 2000K
- 3000K
- 6000K

Optics

- N/A

Outer Dimensions



Material specifications

Housing	12# Die-casting grey powder coated aluminum T=60-80um Adhesion of ISO class 1/ASTM class 4B
Front cover	12# Die-casting aluminum
Light Window	PC T=3mm
Cable gland	IP68 PG-9 PA66
Gasket	Molding Shaped silicone seal
LED Driver	Constant Voltage Input, Constant Current Output
Operating temperature	-20°C~40°C
Power Cable	H05RN-F 2X1.0mm ² L=0.5m (low voltage) H05RN-F 3X1.0mm ² L=0.5m (high voltage)
Mounting sleeve	ABS 074#
Dimmable Support	Triac PWM 1-10V Dali

Front Cover Color Option

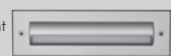
Basic

Sanded Dark Grey
KAP 7037



Secondary

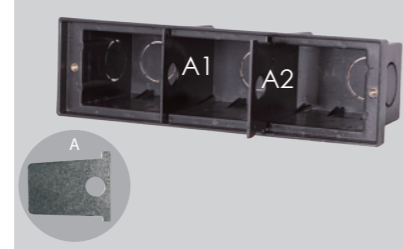
Silver Resistant Paint
RAL 9006



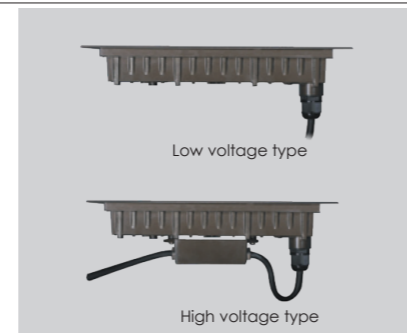
Sanded Black
RAL9005



Mounting sleeve characteristic



- The above picture – the supporting plate "A1" and "A2" are used for preventing deformation of the sleeve during the construction installation process.
- Please remove the supporting plate "A1" and "A2" from the mounting sleeve before the lamp installation.



Item	Light source	Input voltage(V)	Typical operating current(mA)	Typical consumption(W)	Typical luminance(lm)	IK rate
GKD1BE2817	28×SMD3030	24V DC 120/240	24V = 210 120V = 92 240V = 53	24V = 5.0 120V = 6.5 240V = 6.4	Cool white =82 Warm white =65	09

