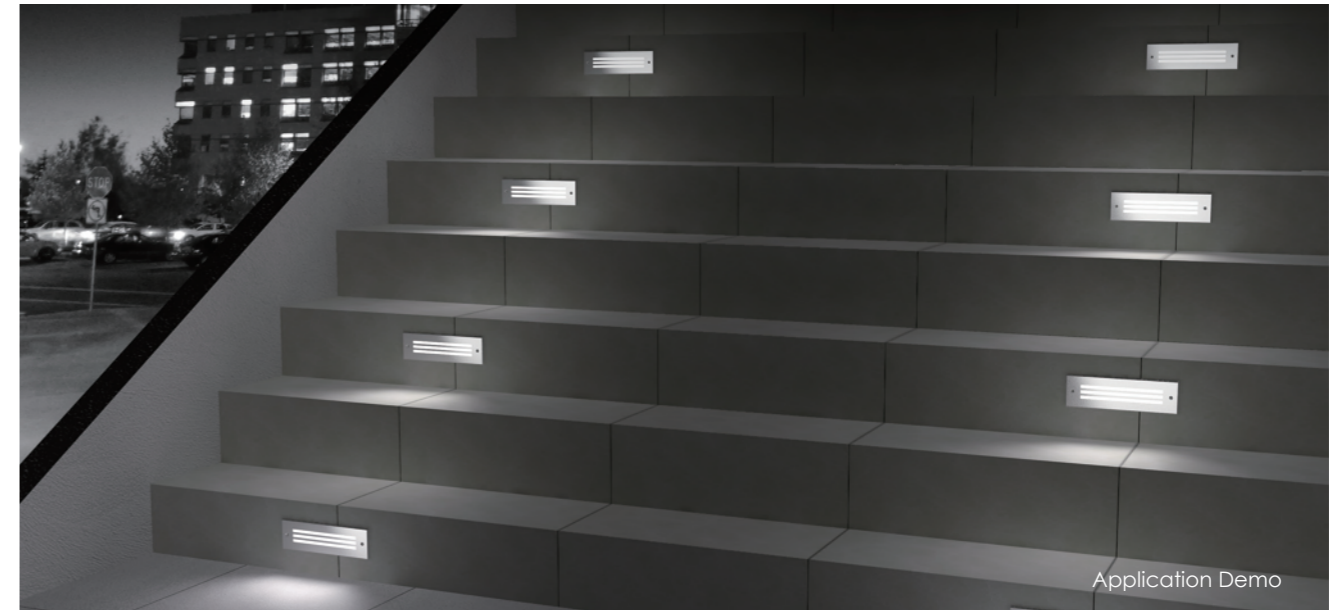




Recessed  
LED Stair Light and Wall Light  
Stainless Steel Front Cover



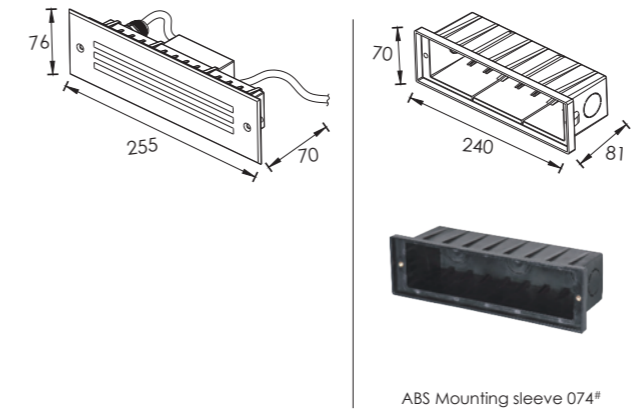
### LED Colour Temperature

- 2000K
- 3000K
- 6000K

### Optics

- N/A

### Outer Dimensions

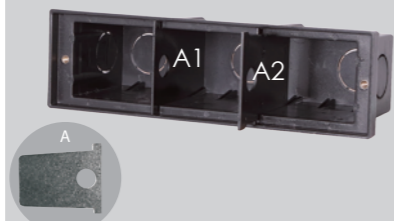


### Material specifications

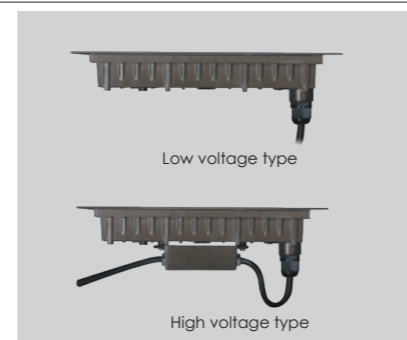
|                       |   |
|-----------------------|---|
| Housing               | 12# Die-casting grey powder coated aluminum<br>T=60-80um Adhesion of ISO class 1/ASTM class 4B          |
| Front cover           | Hard chromeplated Stainless steel 316#  |
| Light Window          | PC T=3mm  |
| Cable gland           | IP68 PG-9 PA66  |
| Gasket                | Molding shaped silicone seal  |
| LED Driver            | Constant Voltage Input, Constant Current Output   |
| Operating temperature | -20°C~40°C  |
| Power Cable           | H05RN-F 2X1.0mm <sup>2</sup> L=0.5m (low voltage)<br>H05RN-F 3X1.0mm <sup>2</sup> L=0.5m (high voltage) |
| Mounting sleeve       | ABS 074#  |
| Dimmable Support      | Triac PWM 1-10V Dali  |



### Mounting sleeve characteristic



• The above picture – the supporting plate "A1" and "A2" are used for preventing deformation of the sleeve during the construction installation process.  
• Please remove the supporting plate "A1" and "A2" from the mounting sleeve before the lamp installation.



| Item       | Light source | Input voltage(V)  | Typical operating current(mA)       | Typical consumption(W)                | Typical luminance(lm)               | IK rate |
|------------|--------------|-------------------|-------------------------------------|---------------------------------------|-------------------------------------|---------|
| GKD1BC5407 | 54×SMD 2835  | 24V DC<br>120/240 | 24V = 220<br>120V = 95<br>240V = 62 | 24V = 5.3<br>120V = 6.7<br>240V = 6.8 | Cool white = 107<br>Warm white = 90 | 10      |

