



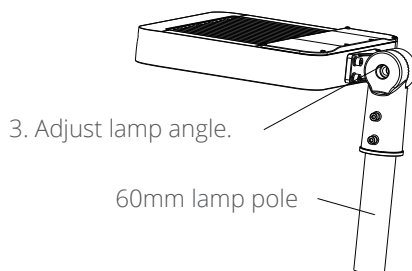
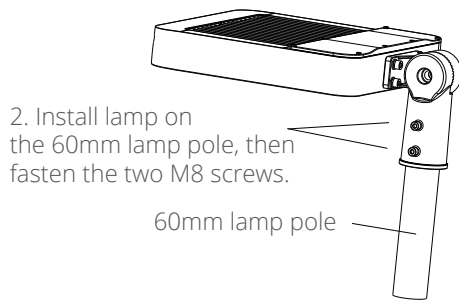
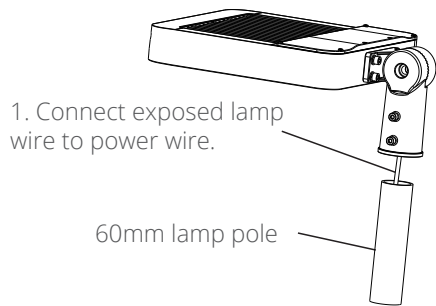
greenlux
cost reduction LED lighting

Installation Manual

Shoebox 02 LED Carpark/Street Light

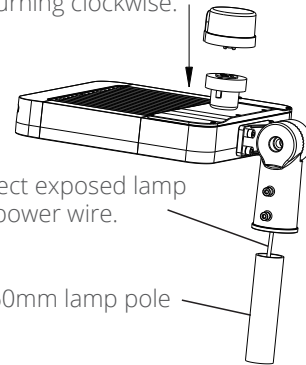
Slip Fitter (60mm lamp pole)

Normal Series

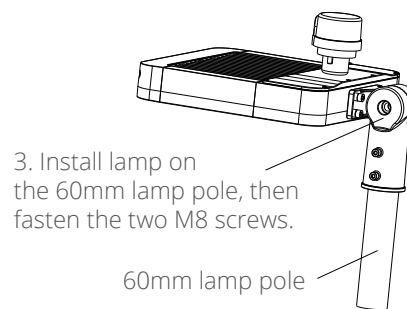


Photocontroller Series

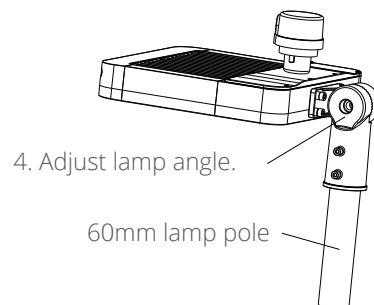
1. Insert light sensor into socket, then fasten by turning clockwise.



2. Connect exposed lamp wire to power wire.



4. Adjust lamp angle.





greenlux
cost reduction LED lighting

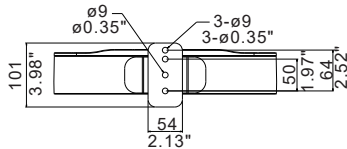
Installation Manual

Shoebox 02 LED Carpark/Street Light

Straight Arm Bracket (100-150mm square pole)

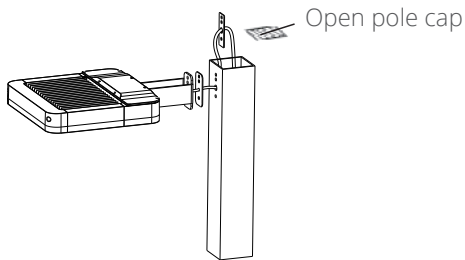
Normal Series

1. Check diagram below for correct installation.

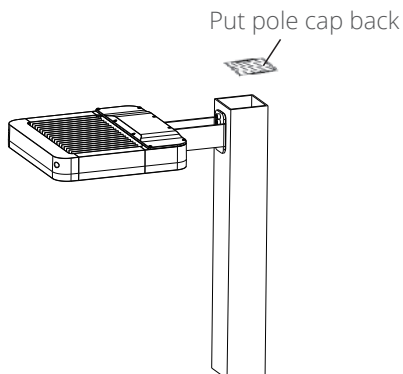


Straight Wall Bracket Holes Installation Diagram

2. Open pole cap.
3. Connect exposed lamp wire to power wire.

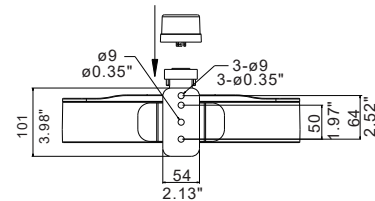


4. Insert all the wires into lamp pole, align installation holes, then fasten screws.
5. Put pole cap back



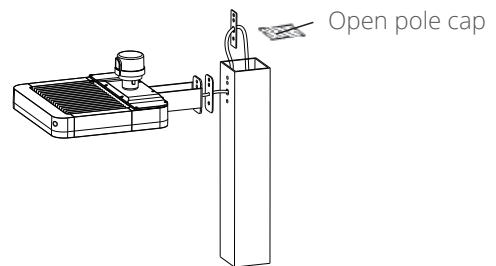
Photocontroller Series

1. Insert light sensor into socket, then fasten by turning clockwise.
2. Check diagram below for correct installation.

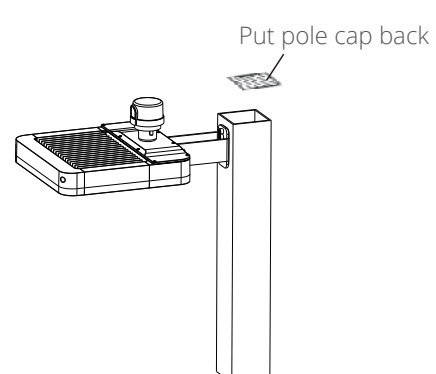


Straight Wall Bracket Holes Installation Diagram

2. Open pole cap.
3. Connect exposed lamp wire to power wire.



5. Insert all the wires into lamp pole, align installation holes, then fasten screws.
6. Put pole cap back





greenlux
cost reduction LED lighting

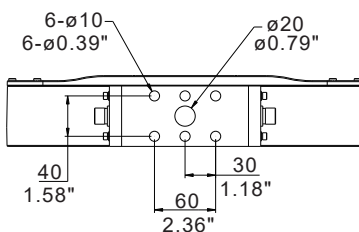
Installation Manual

Shoebox 02 LED Carpark/Street Light

Trunnion Bracket

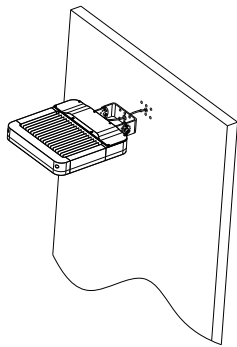
Normal Series

1. Check diagram below for correct installation.

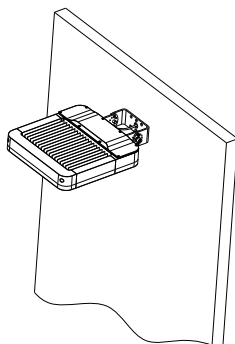


Rotate Bracket Holes Installation Diagram

2. Connect exposed lamp wire to power wire.

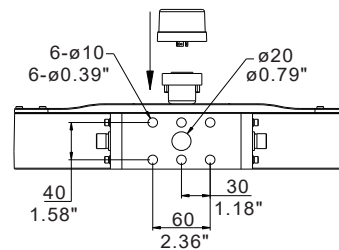


3. Align lamp position
4. Adjust lamp angle (-90°.~90°).
5. Fasten angle screws.



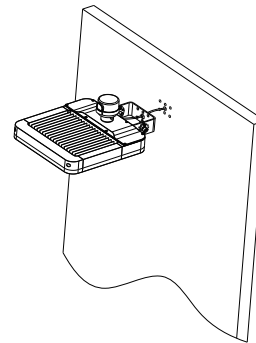
Photocontroller Series

1. Insert light sensor into socket, then fasten by turning clockwise.
2. Check diagram below for correct installation.



Rotate Bracket Holes Installation Diagram

3. Connect exposed lamp wire to power wire.



4. Align lamp position
5. Adjust lamp angle (-90°.~90°).
6. Fasten angle screws.

