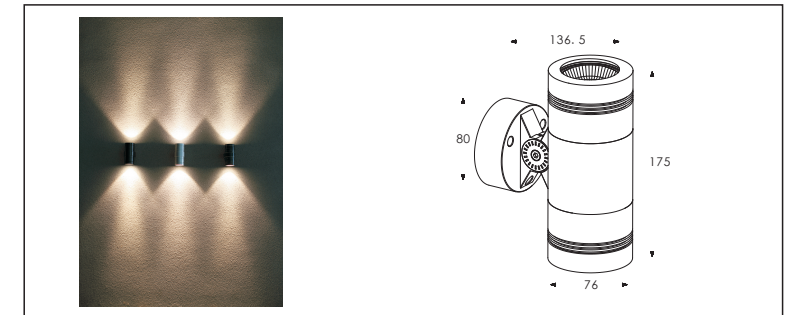
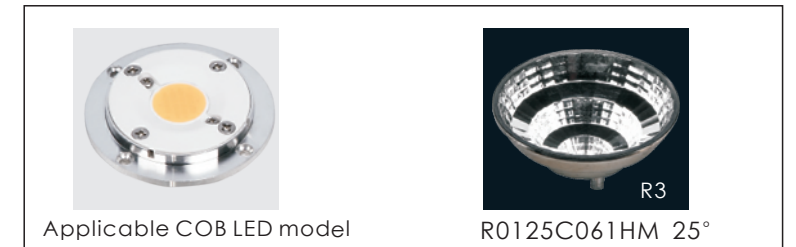


Lenson Series 02 Outdoor LED Wall Light



Material specifications

Housing	12" Die-casting luminum with Painting T=60-80um Adhesion of ISO class 1/ASTM class 4B
Beam windour	Tempered glass.T=4mm
Optical Reflector	Optical Reflector efficiency≥ 85%
LED	COB LED 2x8W
Operating temperature	Environment -20° C~40° C
Mounting base	casting aluminum

Item No.	Light source	Reflector	Lens degree selected by manufacturer (θ 1/2)	Input voltage (v)	Typical operating current(mA)	Typical consumption(w)	Typical luminance (lm)
GKLEN-16W-02	2×8W SHARP COB	R3	30	24VDC 120/240	24V=822 120V=182 240V=103	24V=19.7 120V=21 240V=21	Cool white=1222 Warm white=1124