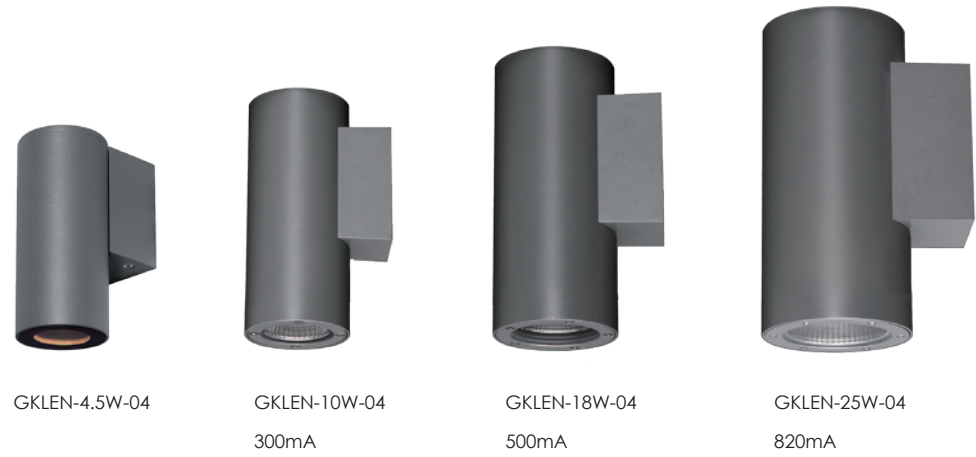
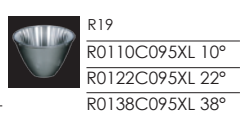
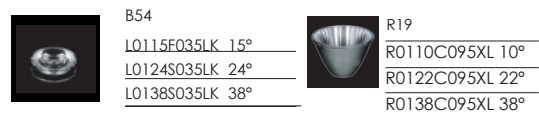
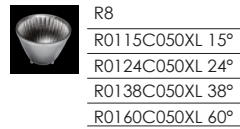


Lenson Series 04 Outdoor LED Wall Light

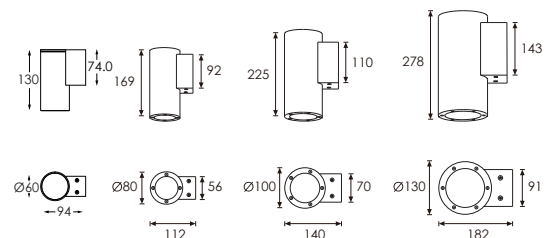


LED Colour Temperature Optics

- 3000K
- 4000K
- 5000K
- 6000K



Outer Dimensions Unit:mm

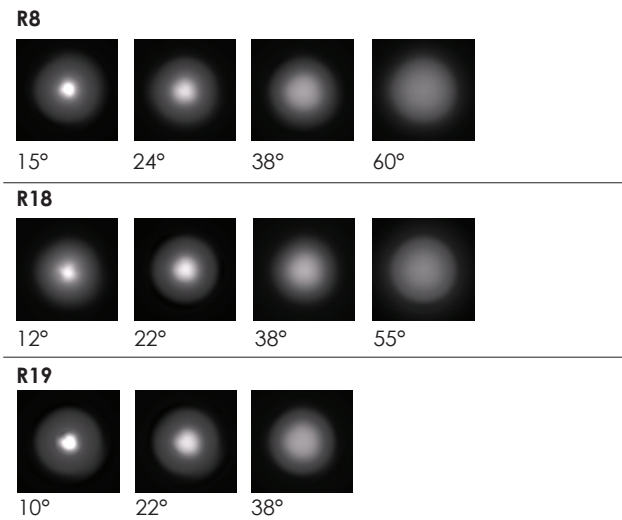
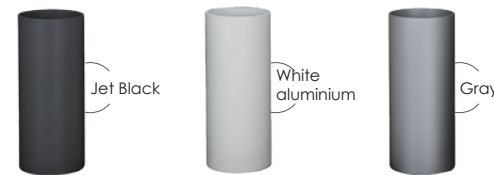


GKLEN-4.5W-04 GKLEN-10W-04 GKLEN-18W-04 GKLEN-25W-04

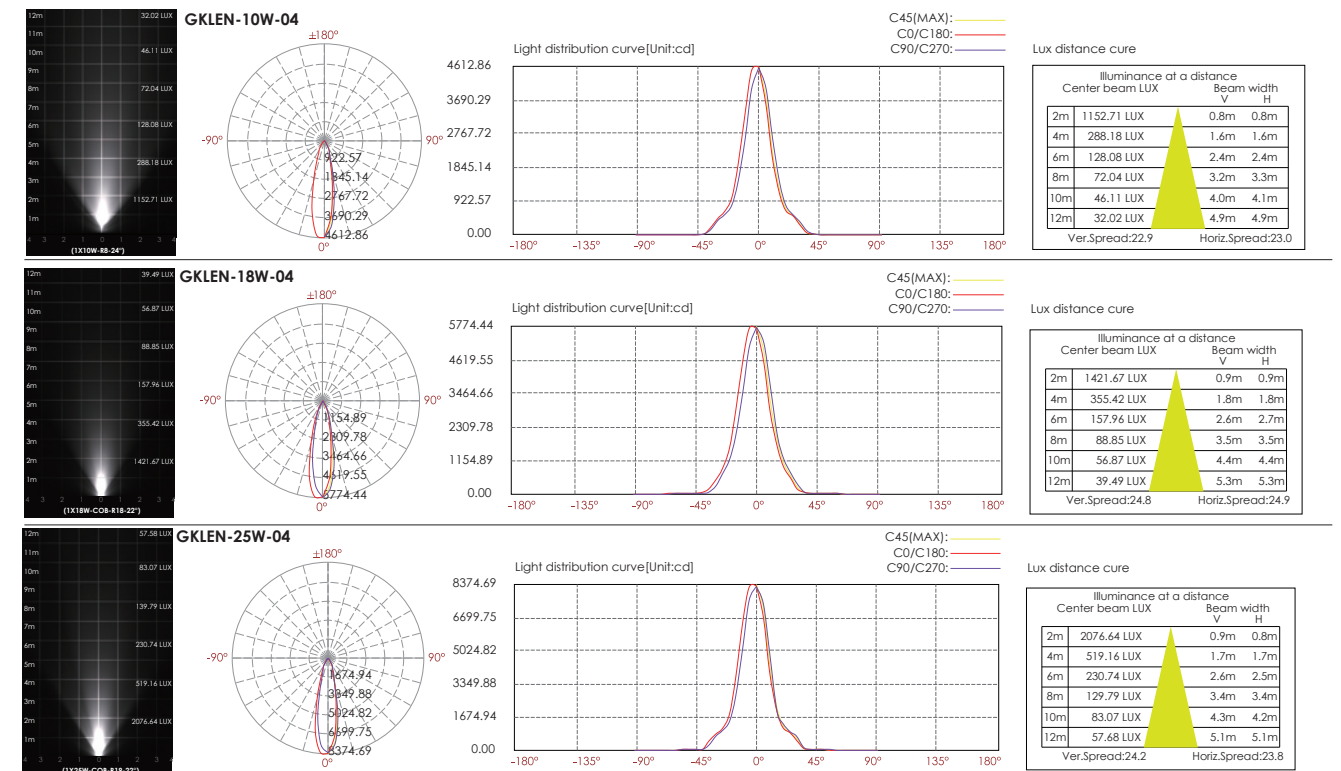
Material specifications

Housing Material	Extruded aluminum alloy #6063; Powder coating, T= 60~80 um./Adhesion of ISO
Painting	class 1/ASTM class 4B
Reflector	Optical reflector. efficiency≥85%
LED	NICHIA
Operating temperature	-20°C~ 40°C
Power Cable	H05RN-F 2X1.0mm ² L=0.3m(low voltage) H05RN-F 3X1.0mm ² L=0.3m(High voltage)
Weight	GKLEN-10W=1.0kg GKLEN-18W=1.9kg GKLEN-25W=2.5kg

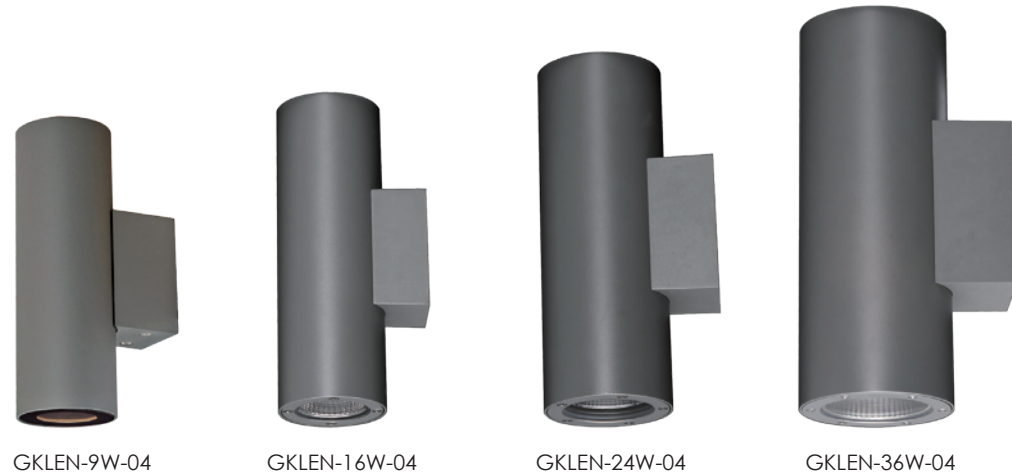
Housing color option



Item	Light source	Reflector	Lens	The manufacturer selected lens degree(°)θ1/2	Input voltage[V]	Typical operating current[mA]	Typical consumption[W]	Typical luminance[lm]	IK rate
GKLEN-10W-04	1×10W COB	R8		24°	24V DC 120/240	2.4V = 480 120V = 112 240V = 63	2.4V = 11.5 120V = 13.1 240V = 13.5	Cool white =1335 Warm white =1170	10
GKLEN-18W-04	1×18W COB	R18		22°	24V DC 120/240	2.4V = 833 120V = 178 240V = 96	2.4V = 20.0 120V = 20.0 240V = 21.4	Cool white =1684 Warm white =1432	10
GKLEN-25W-04	1×25W COB	R19		22°	24V DC 120/240	2.4V = 1080 120V = 270 240V = 146	2.4V = 26.0 120V = 30.0 240V = 31.0	Cool white =2615 Warm white =2412	10
GKLEN-4.5W-04	4×4.5W COB	B54		24°	24V DC 240	2.4V = 233 240V = 43	2.4V = 5.6 240V = 6	Warm white =254	05



Lenson Series 04 Outdoor LED Wall Light

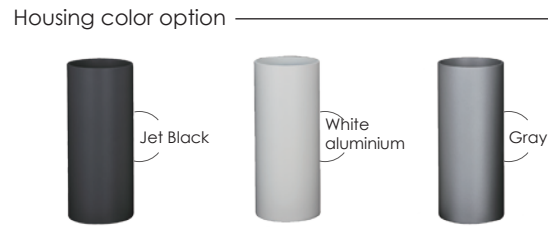


LED Colour Temperature Optics

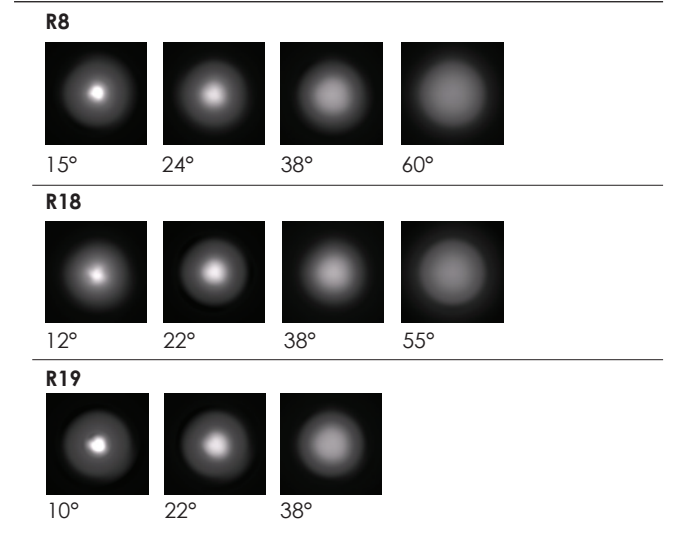
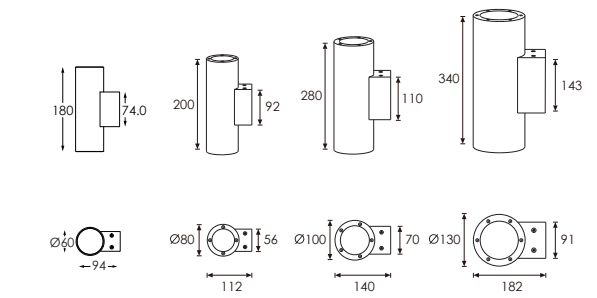
- 3000K
 - 4000K
 - 5000K
 - 6000K
- R8**
- R0115C050XL 15°
 - R0124C050XL 24°
 - R0138C050XL 38°
 - R0160C050XL 60°
- R18**
- R0112C075XL 12°
 - R0122C075XL 22°
 - R0135C075XL 35°
 - R0155C075XL 55°
- B54**
- L0115F035LK 15°
 - L0124S035LK 24°
 - L0138S035LK 38°
- R19**
- R0110C095XL 10°
 - R0122C095XL 22°
 - R0138C095XL 38°

Material specifications

Housing Material	Extruded aluminum alloy #6063; Powder coating ,T= 60-80 um./Adhesion of ISO
Painting	class 1/ASTM class 4B
Reflector	Optical reflector. efficiency≥85%
Light source	NICHIA
Operating temperature	-20°C~ 40°C
Power Cable	H05RN-F 2X1.0mm ² L=0.3m(low voltage) H05RN-F 3X1.0mm ² L=0.3m(High voltage)
Weight	GKLEN-16W=1.4kg GKLEN-24W=2.7kg GKLEN-36W=4.6kg



Outer Dimensions Unit:mm



Item	Light source	Reflector	Lens	The manufacturer selected lens degree(°)θ1/2	Input voltage(V)	Typical operating current(mA)	Typical consumption(W)	Typical luminance(lm)	IK rate
GKLEN-16W-04	2×8W COB	R8		24°	24V DC 120/240	2.4V = 832 120V = 163 240V = 91	2.4V = 20.0 120V = 20.0 240V = 20.8	Cool white=2X1053 Warm white=2X986	10
GKLEN-24W-04	2×12W COB	R18		22°	24V DC 120/240	2.4V = 1080 120V = 210 240V = 116	2.4V = 26.0 120V = 25.5 240V = 25.0	Cool white=2X1289 Warm white=2X1079	10
GKLEN-36W-04	2×18W COB	R19		22°	24V DC 120/240	2.4V = 1660 120V = 340 240V = 182	2.4V = 40.0 120V = 40.5 240V = 42.0	Cool white=2X1795 Warm white=2X1617	10
GKLEN-9W-04	2×4.5W COB	B54		24°	24V DC 240	2.4V = 479 240V = 81	2.4V = 11.5 240V = 12	Warm white=2X254	10

