



greenlux
cost reduction LED lighting

Shoebox 01 LED Carpark/Street Light IP65



- Photocell and Microwave sensor options
- Motion Sensor with remote control
- High lumen output 130lm/W
- High quality Die-casting Aluminum Alloy Housing
- Easy maintenance with independent chambers for light source and driver
- Anti-UV PC lens, shatterproof & waterproof
- 4 beam angle options, suitable for light distributions in varies locations
- Built-in thermal management system to reduce heat
- Applications include carpark, streets, tunnels, petrol stations, tennis court and stadiums

Specifications

Colour Range	2700-6500k
Power	100W ~ 300W
Lumen Efficiency	130lm/W
Input Voltage	100 ~ 277V AC
Chipset	SMD 2835
LED Driver	Class II
CRI	> 80
Beam Angle	Type II / Type III / Type IV / Type V
Power Factor	> 0.9

Dimensions (mm)

Slip Fitter:	100W	433*290*82
	150W-190W	540*322*82
	240W	617*322*86
	300W	739*345*103
Straight Arm Bracket:	100W	397*290*100
	150W-190W	502*322*100
	240W 300W	580*322*100 705*345*112
Trunnion Bracket:	100W	375*290*73
	150W-190W	476*322*71
	240W 300W	557*322*75 681*345*103



Shoebox 01 LED Carpark/Street Light IP65

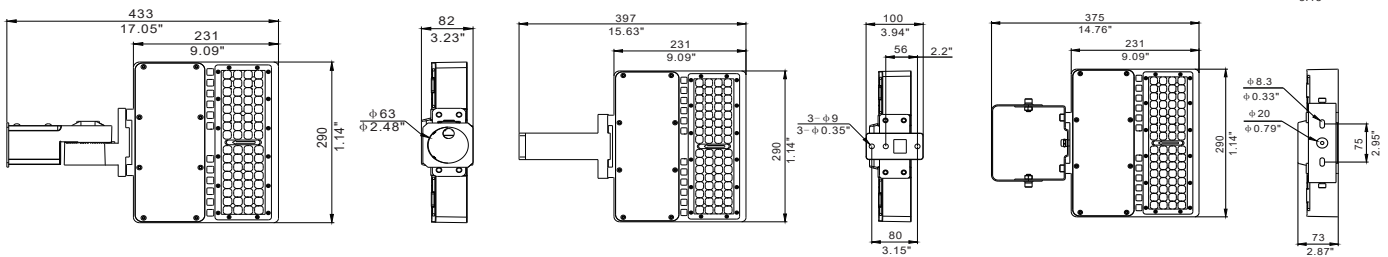
Dimensions

Slip Fitter:

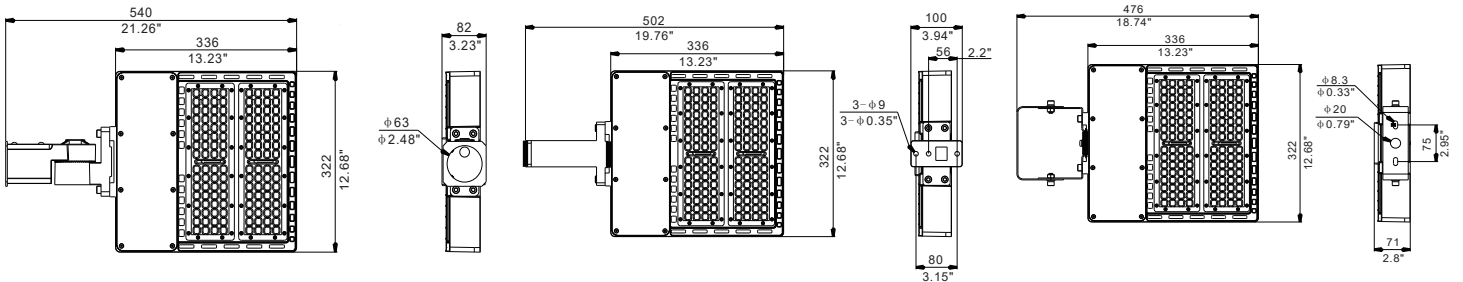
Straight arm bracket:

Trunnion bracket:

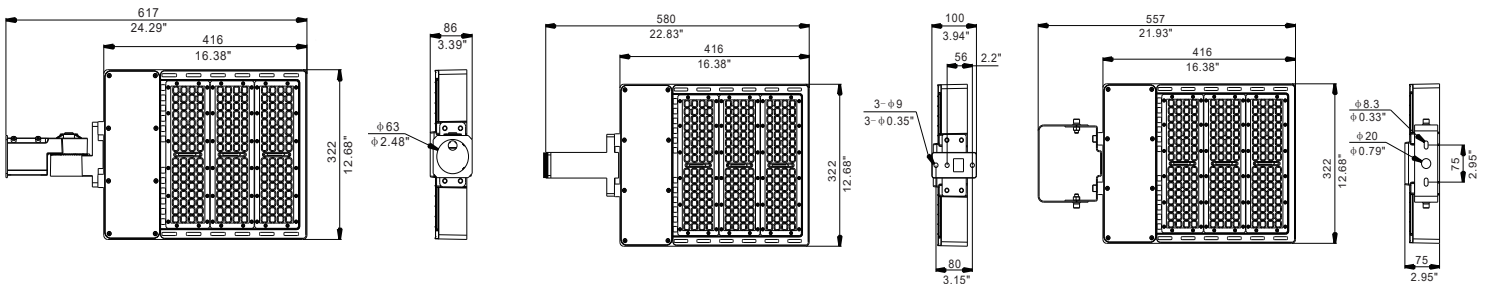
100W



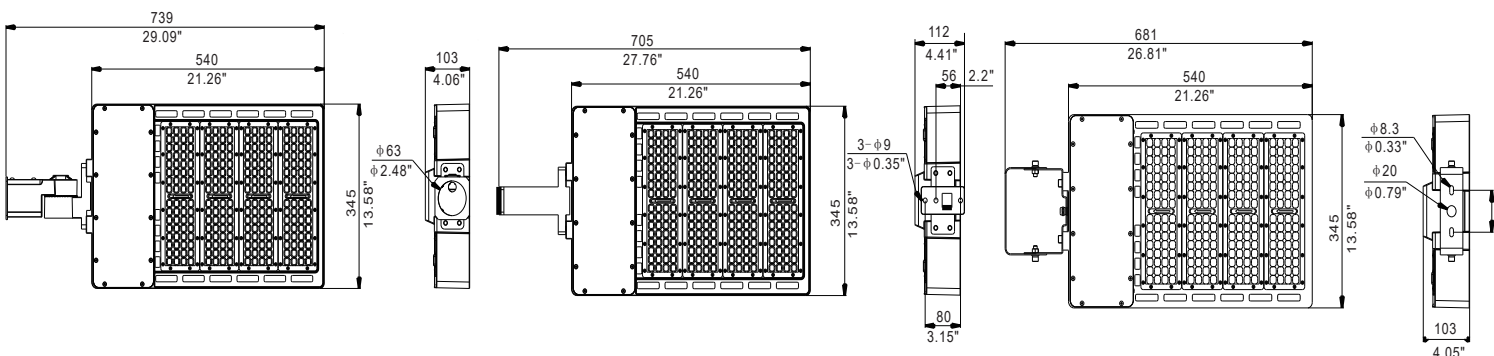
150W-190W



240W



300W



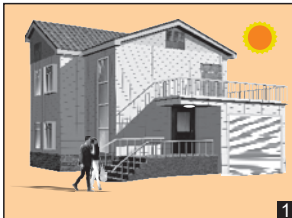


greenlux
cost reduction LED lighting

Shoebox 01 LED Carpark/Street Light IP65

Motion Sensor & Remote Controller

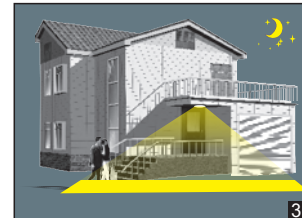
1. 5.8 GHz microwave sensor
2. Maximum detection distance = 18m, radius = 8m
3. Photocell can distinguish daylight and LED light
4. 1-10V Dimmer
5. Function is set by remote controller



Lamp switches off when natural light > 50Lux



Lamp switches on 30% when natural light < 50Lux



Lamp switches on 100% for 5 mins when moving object



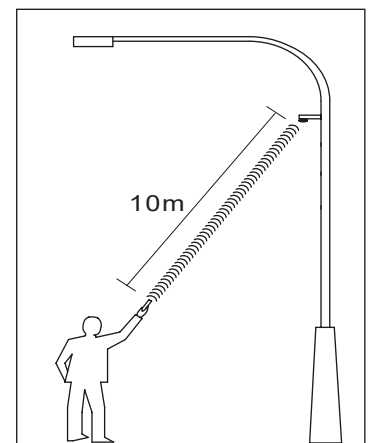
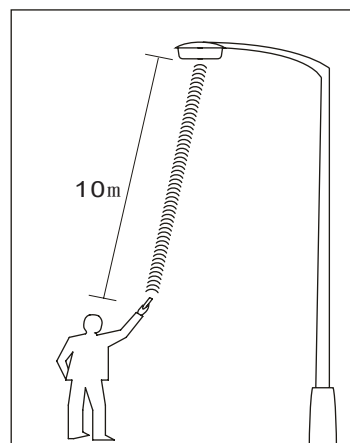
Lamp switches resume 30% when no moving object



Lamp switches off when natural light > 100Lux



Remote Controller

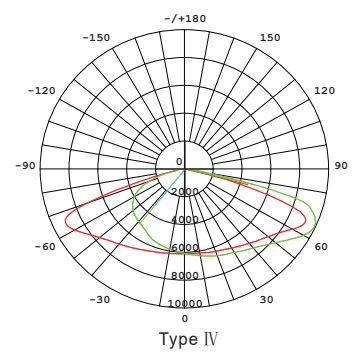
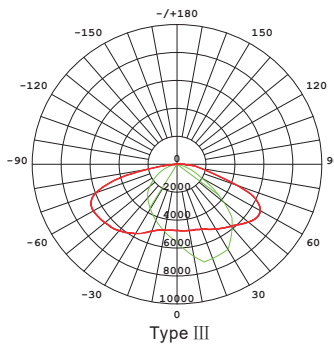
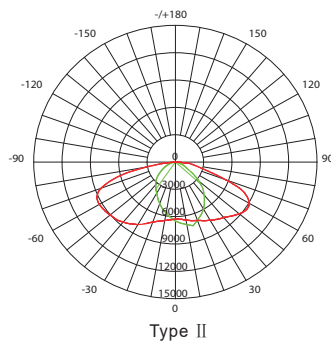
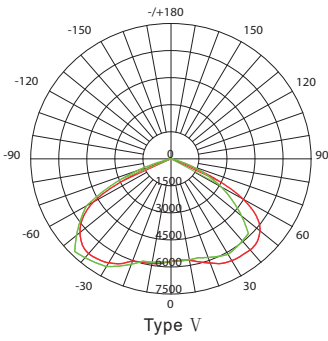


Detecting distance may vary



greenlux
cost reduction LED lighting

Shoebox 01 LED Carpark/Street Light IP65



Model#	Wattage	Dimension	Beam Angle	CCT	Lumens	Weight
GSSHO-01 Slip Fitter:	100W	433*290*82	Type V	2700-6500k	130lm/W	5.1kg
	150W-190W	540*322*82	Type II			7.5kg
	240W	617*322*86	Type III			8.5kg
	300W	739*345*103	Type IV			11kg
GSSHO-01 Straight Arm Bracket:	100W	397*290*100	Type V	2700-6500k	130lm/W	5.1kg
	150W-190W	502*322*100	Type II			7.5kg
	240W	580*322*100	Type III			8.5kg
	300W	705*345*112	Type IV			11kg
GSSHO-01 Trunnion Bracket:	100W	375*290*73	Type V	2700-6500k	130lm/W	5.1kg
	150W-190W	476*322*71	Type II			7.5kg
	240W	557*322*75	Type III			8.5kg
	300W	681*345*103	Type IV			11kg

