

Titan 02 Series LED Floodlight

Better solutions for a Led Flood Light



IP65 water-proof



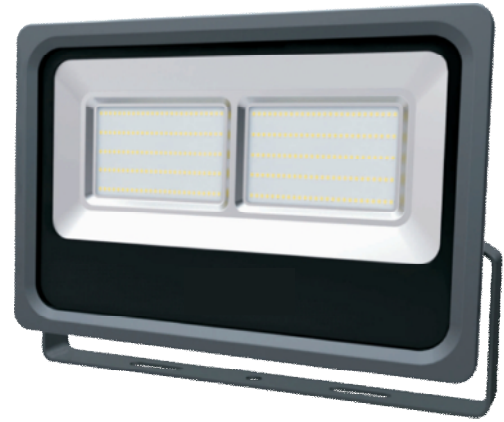
AC100-277V 50/60Hz



Easy Installation



120Lm/w



Options

Color

2700K 3000K
4000K 5000K
6500K

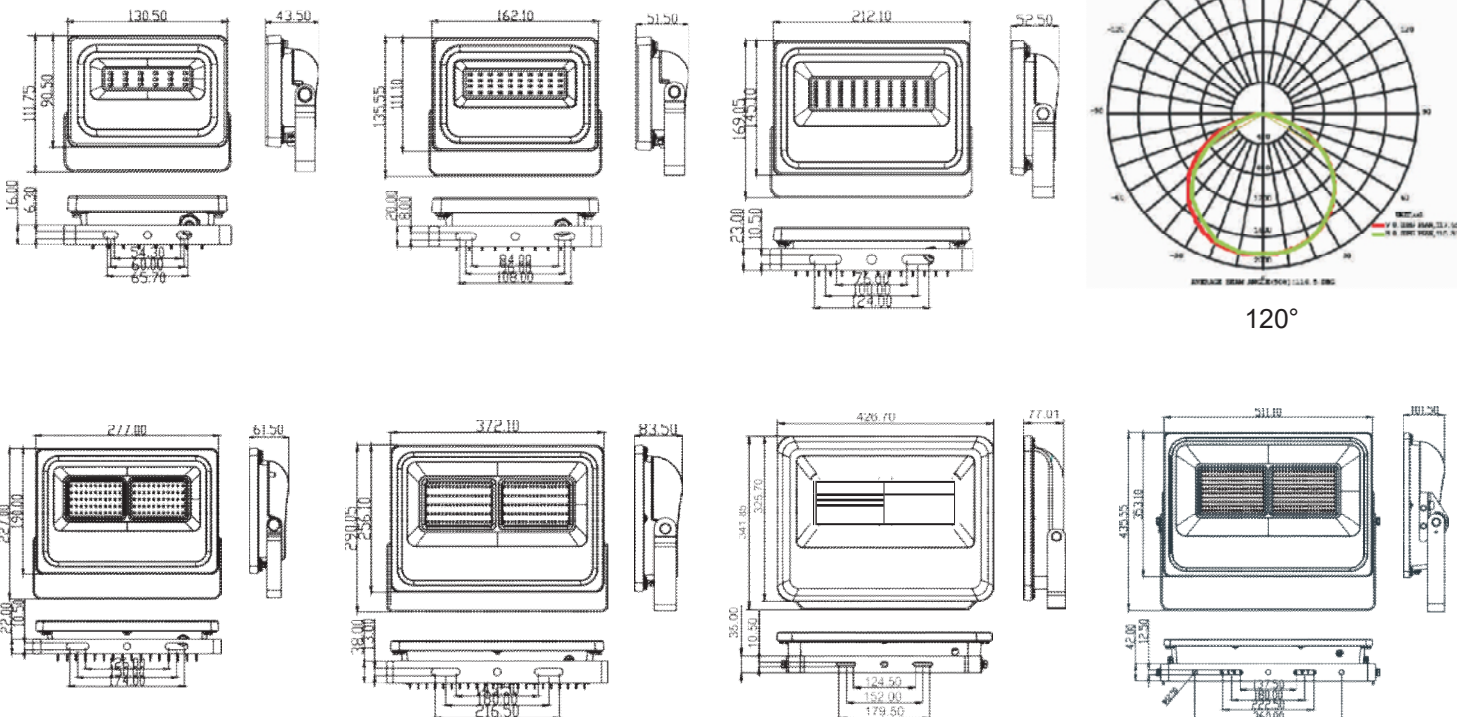
Application

Tunnel light, Sports field, Parking lot, Garden, Residential area, Landscape, Architectural decorative lighting, Roads and other places.

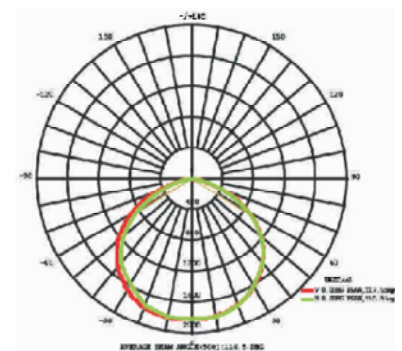
Specifications

Item	Power	Lumen	Leds	CRI	Weight	Beam Angle
GBTIT-10W-02	10W	1200Lm	SMD 2835	> 80	0.35kg	120°
GBTIT-20W-02	20W	2400Lm	SMD 2835	> 80	0.64kg	120°
GBTIT-30W-02	30W	3600Lm	SMD 2835	> 80	1.15kg	120°
GBTIT-50W-02	50W	6000Lm	SMD 2835	> 80	1.96kg	120°
GBTIT-80W-02	80W	9600Lm	SMD 2835	> 80	4.86kg	120°
GBTIT-100W-02	100W	12000Lm	SMD 2835	> 80	4.86kg	120°
GBTIT-120W-02	120W	14400Lm	SMD 2835	> 80	4.86kg	120°
GBTIT-150W-02	150W	18000Lm	SMD 2835	> 80	5.33kg	120°
GBTIT-200W-02	200W	24000Lm	SMD 2835	> 80	9.54kg	120°

Dimensions(mm)



Photometry



120°

Titan 02 Series LED Floodlight



10W



20W



30W



50W



80W/100W/120W



150W



200W

Installation

