

Titan 03 Series LED Floodlight

Better solutions for a Led Flood Light



IP65 water-proof



AC100-277V 50/60Hz



Easy Installation



120Lm/w

Options

Power

BREE DRIVER(30W/50W)
MEANWELL DRIVER(80W~200W)

Color

3000K
4000K
5700K

Beam Angle

120°/90°
120°/65°(Polarized 55°)
60°



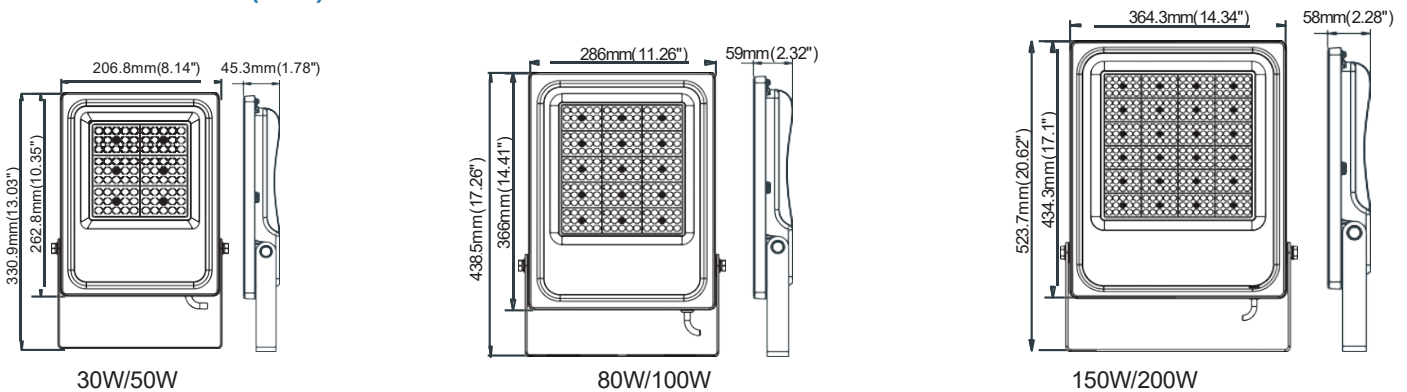
Application

Tunnel light, Sports field, Parking lot, Garden, Residential area,
Landscape, Architectural decorative lighting, Roads and other places.

Specifications

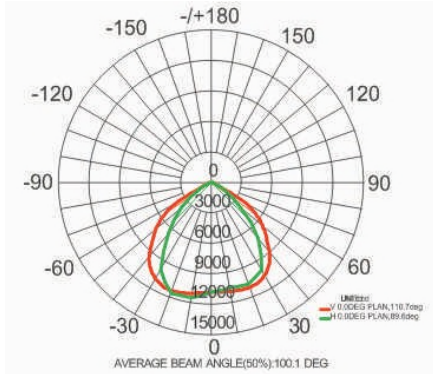
Item	Power	Luminous Efficacy	Leds	CRI	Weight	Beam Angle
GBTIT-30W-03	30W	130lm/W	LUMILEDS 3030	> 70	1.57kg	120°/90°/120°/65°/60°
GBTIT-50W-03	50W	130lm/W	LUMILEDS 3030	> 70	1.57kg	120°/90°/120°/65°/60°
GBTIT-80W-03	80W	130lm/W	LUMILEDS 3030	> 70	3.50kg	120°/90°/120°/65°/60°
GBTIT-100W-03	100W	130lm/W	LUMILEDS 3030	> 70	3.50kg	120°/90°/120°/65°/60°
GBTIT-150W-03	150W	130lm/W	LUMILEDS 3030	> 70	5.31kg	120°/90°/120°/65°/60°
GBTIT-200W-03	200W	130lm/W	LUMILEDS 3030	> 70	5.31kg	120°/90°/120°/65°/60°

Dimensions(mm)

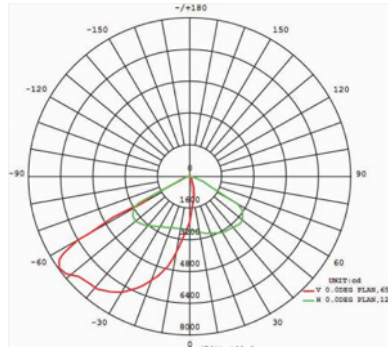


Titan 03 Series LED Floodlight

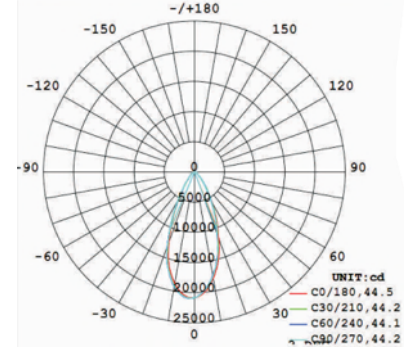
Photometry



120°90°



120°65°(Polarized 55°)



60°



30W/50W



80W/100W



150W/200W

Installation and use

01

02

Power	D1	D2
50W	50mm	10mm
120W	180mm	12mm
200W	180mm	12mm

03

04

05

Brown - L
Blue - N
G/Y - GND

Caution:
vertical installation is absolutely not permitted

Caution:
vertical installation is absolutely not permitted