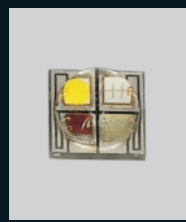


# Landscape 04 LED Spot Garden Light

## RGBW Four Colour Mixing



RGBW colorful effect released

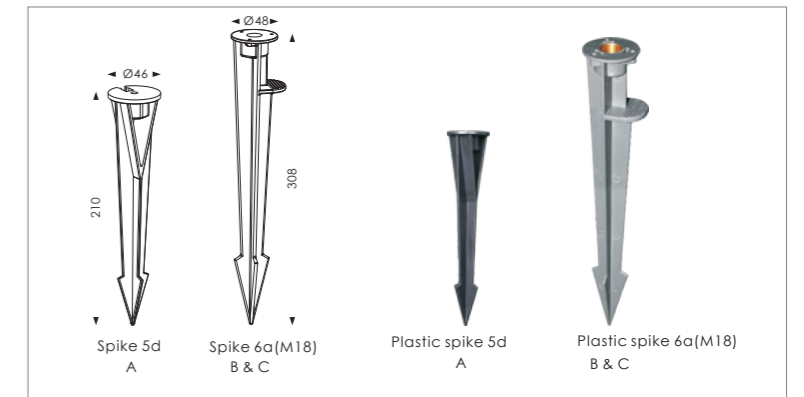
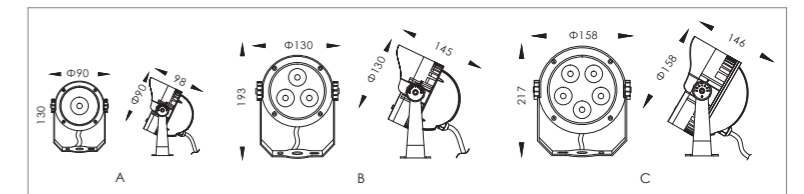
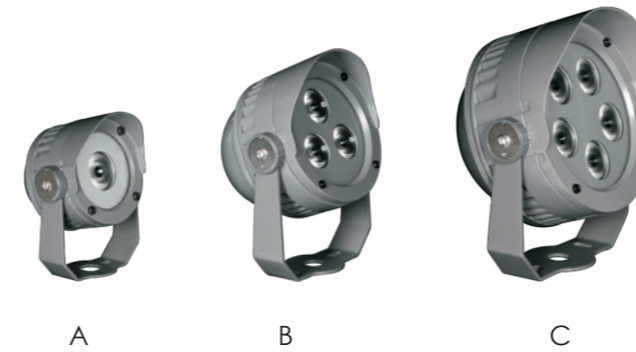
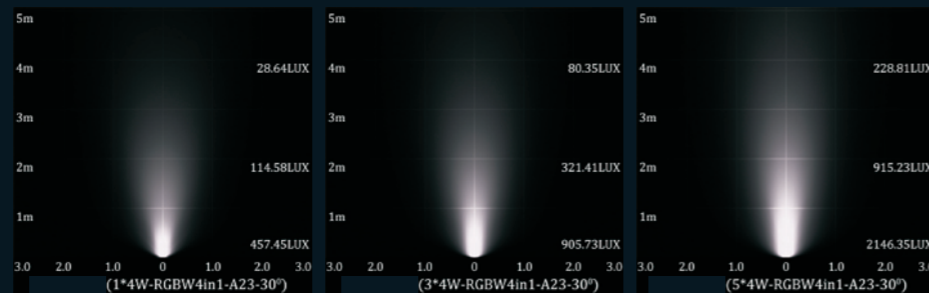


RGBW 4colors in 1LED



A23

L0115F038KT 15°  
L0130F038KT 30°



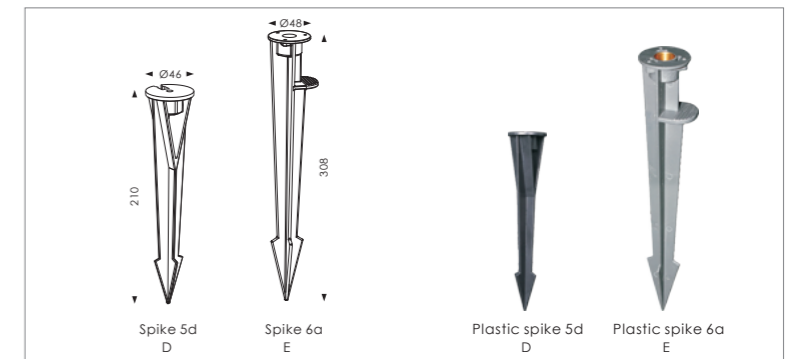
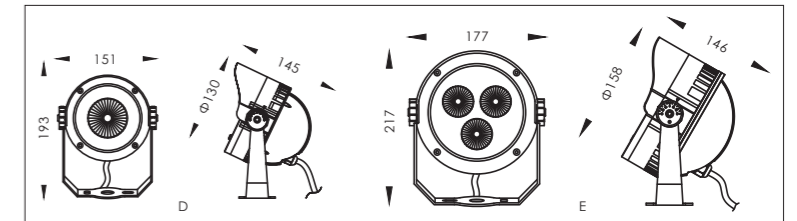
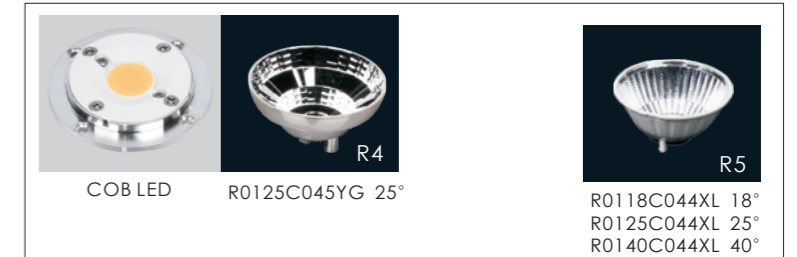
### Specifications

Housing	12' Die-casting powder coated aluminum . T=60-80µm. Adhesion of ISO class 1/ASTM class 4B
Bracket	Powder coated aluminum T=2.5mm
Glass	Tempered glass. T=4mm
Lens	All-in-one optical lens, efficiency≥85%
Cable gland	IP-68 PG-9 PVC
Gasket	Tooling shaped seal
Power cable	RGBW 24VDC : H05RN-F 6×0.5mm² L×2m

Item No.	Light source	Lens	The manufacturer selected lens degree (β 1/2)	Input voltage(V)	Typical operating current(mA)	Typical consumption(w)	Typical luminance (lm)	IK rate
GKLAN-4W-A-04	1×4W RGBW 4in1	A23	30	24VDC	255	6.1	213	07
GKLAN-12W-B-04	3×4W RGBW 4in1	A23	30	24VDC	610	14.6	564	07
GKLAN-20W-B-04	5×4W RGBW 4in1	A23	30	24VDC	865	20.7	762	07

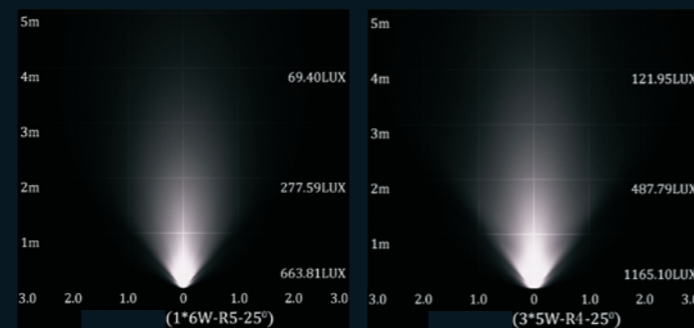
# Landscape 04 LED Spot Garden Light

## Single Colour COB High Lumen



### Specifications

Housing	12' Die-casting powder coated aluminum . T=60-80µm. Adhesion of ISO class 1/ASTM class 4B
Bracket	Powder coated aluminum
LED	D: COB LED 6W / E: COB LED 5W
Glass	Tempered glass. T=4mm
Reflector	Optical Reflector efficiency ≥ 90%
Cable gland	IP-68 PG-9 PVC
Gasket	Tooling shaped seal
Power cable	24V: L=2M H05RN-F 2×1.0mm <sup>2</sup> 100/240V: L=2M H05RN-F 3×1.0mm <sup>2</sup>



Item No.	Light source	Reflector	The manufacturer selected reflector degree (θ/2)	Input voltage (v)	Typical operating current(mA)	Typical consumption(w)	Typical luminance (lm)	IK rate
GKLAN-6W-D-04	1 × 6W BRIDGELUX COB	R5	25	24VDC 120/240	24V=270 120V=110 240V=60	24V=6.5 120V=7.6 240V=7.6	Cool white=536 Warm white=452	07
GKLAN-15W-E-04	3 × 5W CITIZEN COB	R4	25	120/240	120V=154 240V=82	120V=18.5 240V=18.5	Cool white=1373 Warm white=1230	08