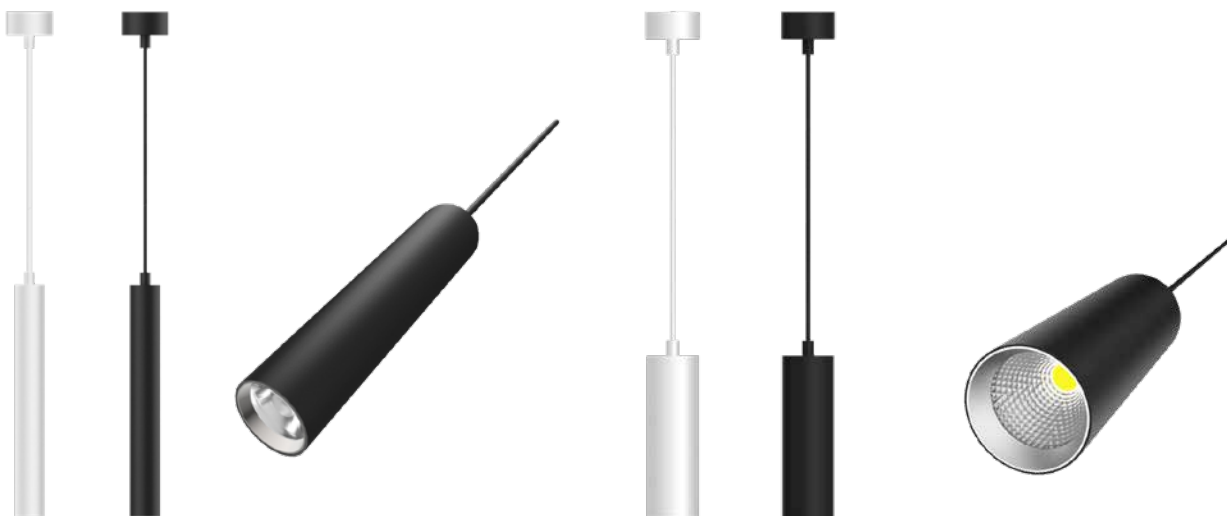


Coz 02 LED CYLINDER

Pendant Light



Introduction



Coz 02 LED CYLINDER Pendant Light adopts straightforward design with stylish appearance. Easy to install, simple and generous style which is designed to leisure and comfort. It creates modern and lively feelings to spaces. Optional surface ring colour choices create diversified light atmosphere to suit all kind of environment.

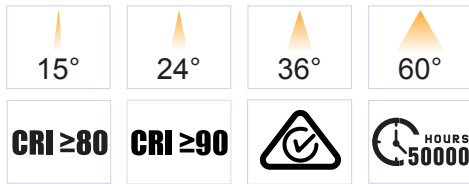
Features

The lamp adopts high quality reflector which has good reflective rate and light output > 85%. High lumen COB chip with CRI>80. THD<20%, passed EMC test with strong anti-jamming capability. Besides, it possesses short-circuit protection and overvoltage protection function, showing high safety performance.

Application Areas

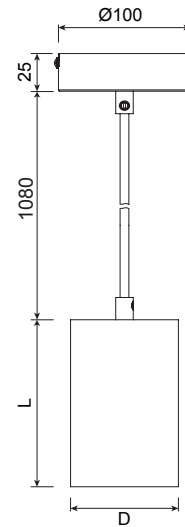
Applicable for residential lighting in bedroom, living room, corridor etc, also suitable for commercial lighting in office, hotel, restaurant etc.





Measurement

Model	Dimension(mm)		Size(mm)	Product Weight (Kg)	
	D	L		N.W/PC	G.W/PC
5W	39	300	Ø39*300	0.51	0.6
5W	39	500	Ø39*500	0.65	0.78
10W	58	180	Ø58*180	0.54	0.62



Technical Data Sheet

Model No.			GUCOZ-5W-39300-02	GUCOZ-5W-39500-02	GUCOZ-10W-58180-02
Watt(W)			5W	5W	10W
Dimension(mm)			Ø39*300	Ø39*500	Ø58*180
Rated Input Voltage(V)			AC230V		
Input Voltage(V)			AC200-240V		
LED			COB		
SDCM			<6		
CCT(K)			1-CCT: 2700K / 3000K / 4000K / 5000K		
"Luminous Flux (lm) ±5%	1-CCT	Non-DIM	500	500	1000
		DIM	-	-	-
CRI			≥80 (≥ 90 Optional)		
Beam Angle (°)			24° / 36° / 60°	24° / 36° / 60°	15° / 24° / 36° / 60°
UGR			<19		
LED Driver			Built-in		
DIM			NO		
Protection Class			Class I		
IP Rating			IP20		
IK Rating			-		
Finishing color			Black / White		
Material			Aluminium		
Lifetime (hr)			50,000		
Glow wire test (°C)			750°C		
Operating Temp.(°C)			-20°C ~45°C		
Storage Temp.(°C)			-20°C ~65°C		
Installation			Pendant		
Brand Driver option			-		

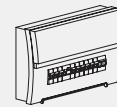
Driver Datasheet

Power	5W	10W
Rated Input Voltage(V)	AC230V	
Frequency	50/60Hz	
Input Voltage	AC200-240V	
Efficiency	≥78%	≥83%
Total load wattage	5W±0.5W	10W±1W
Power Factor	0.8	0.9
Rated Input Current	≤0.03A	≤0.06A
Full load output voltage	DC24-40V	DC28-40V
Rated output current	110mA	230mA
Output current range	110mA±5%	230mA±5%
Power tolerance	±5%	
Current output tolerance	±5%	
Short circuit protection	PASS	
Over voltage protection	PASS	
Over temperature protection	PASS	
THD	<20% @ 230V	
Surge	L,N-PE 1KV	
Withstand voltage	AC1500V	

Installation Procedure

WARNING

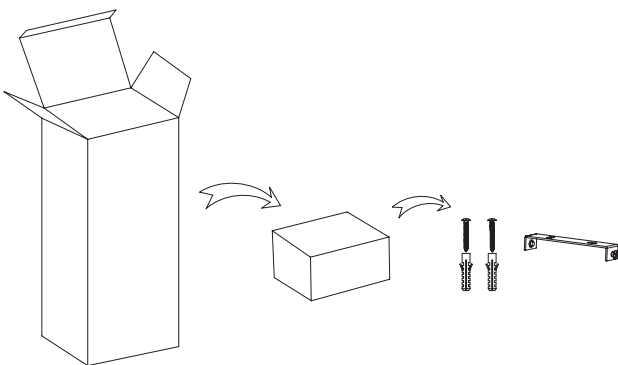
1. Switch off power supply before installation / maintenance.
2. Switch on after completing installation and examination of the circuit.
3. The pendant light must be installed and maintained by professional electrician.



Turn off power supply before installation. Read instructions and make sure you have all the tools and accessories before installation.

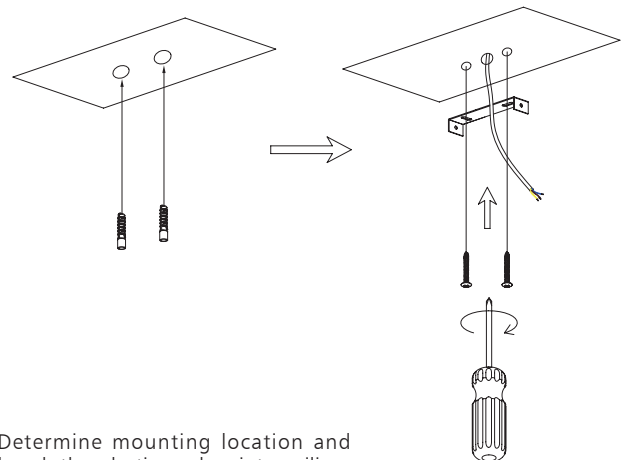
How to install

Step 1



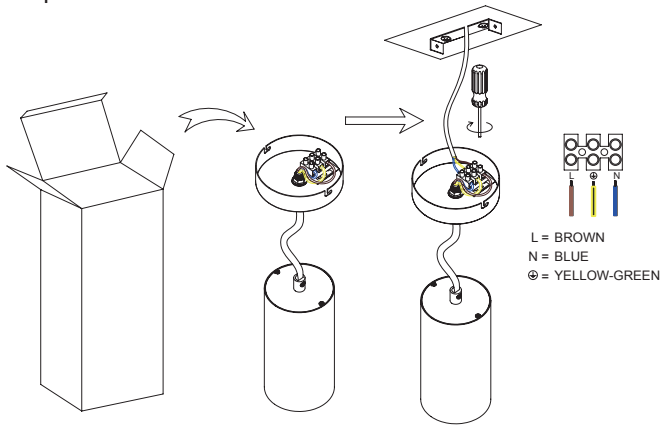
Take out the accessories from accessory box.

Step 2



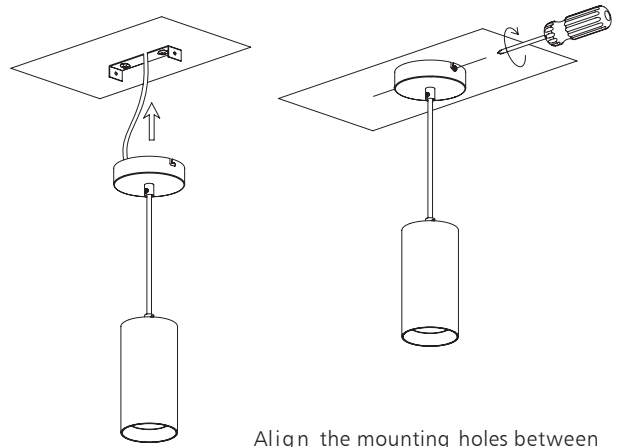
Determine mounting location and knock the plastic anchor into ceiling. Fixing bracket with screw into the ceiling.

Step 3



Take out the lamp, connect the corresponding polarities between the wires on the ceiling and terminal block by screwdriver.

Step 4



Align the mounting holes between back plate and mounting bracket, then lock them together with screw.