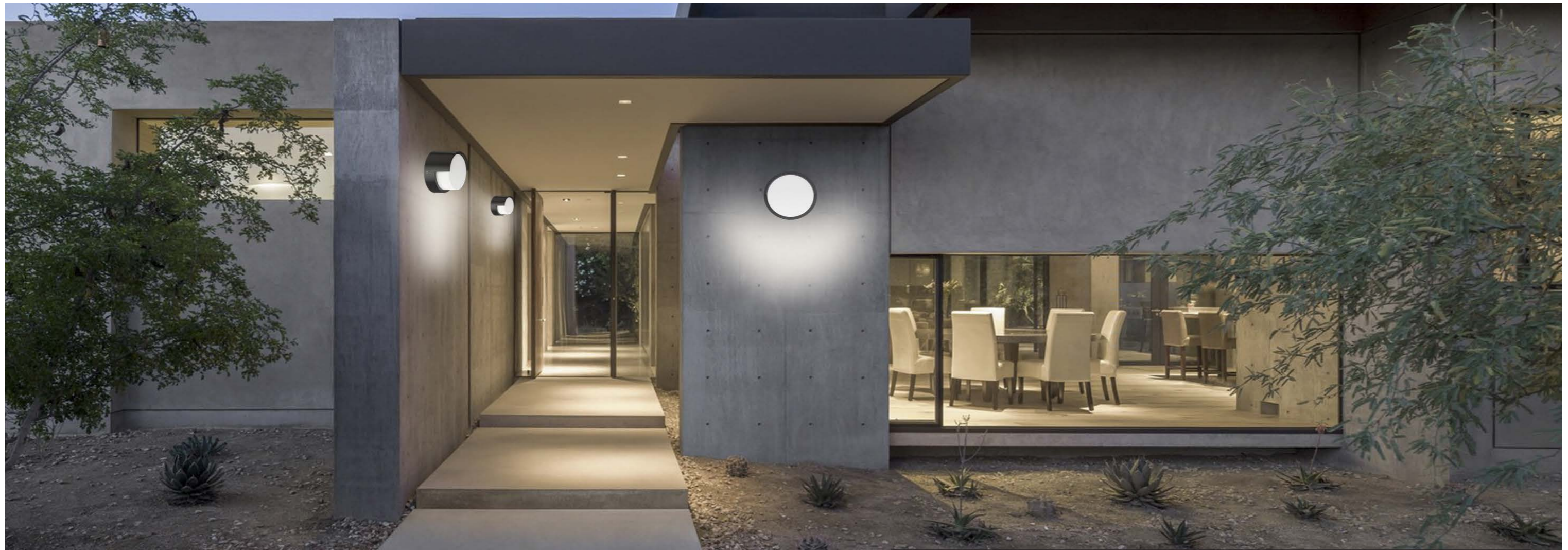


Sahara WL125/160 Series

LED Wall Light IP65





Introduction

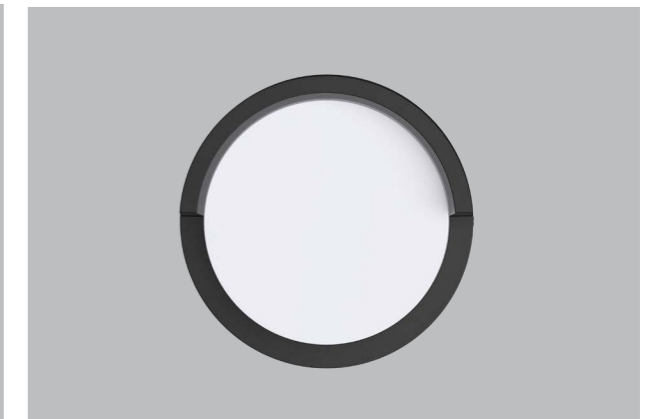
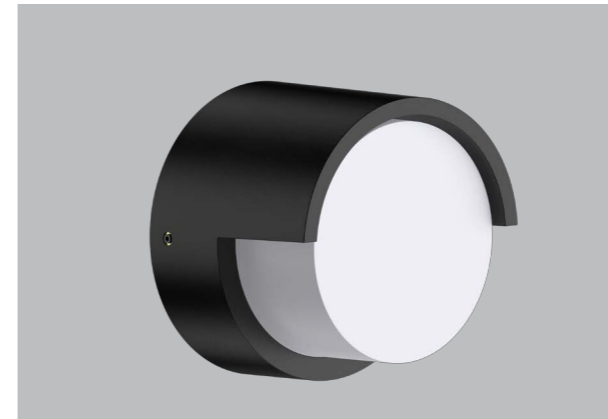
Sahara WL125/160 Series LED Wall Light is made of PC 94-V0 anti-UV plastic and the diffuser which is 94-V2 corrosion-resistant. It has a nice appearance without any protruding screws, easy installation allows convenient maintenance. The semi-cylindrical shielding light design creates a sense of layering lighting which achieve a desired atmospheric effect. Its high protection level (IP65) is suitable for a variety of indoor and outdoor lighting applications.

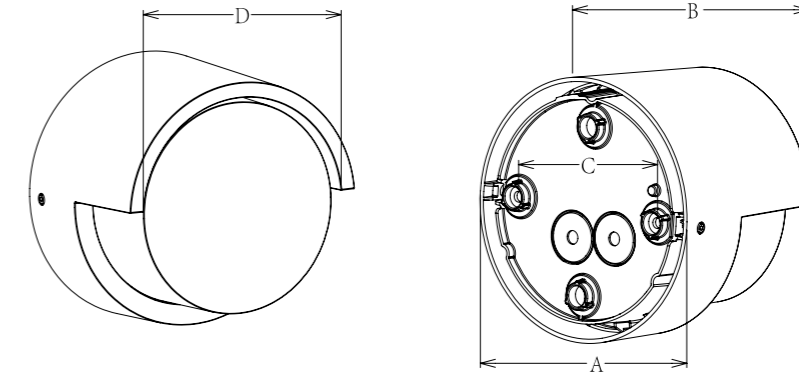
Features

- PC lamp body offers a light weight.
- SMD light source with PC cover, which generates a uniform light output.
- The semi-cylindrical shielding light design produces a sense of lighting layering.
- IP65 waterproof.
- Interchangeable CCT (3000L+4000K+5700K) with slide switch.
- Flicker free driver. 8W could do triac dimming.

Application Areas

It is designed for both indoor and outdoor lighting applications. It is also widely used for public areas, such as garden, corridors, yard etc.





Technical Data Sheet

Code No.	GUSAH-5W-WL125	GUSAH-8W-WL160	GUSAH-8W-WL160D		
Dimension(mm)	Ø125*95mm	Ø160*95mm			
Cutout (mm)	-				
Watt(W)	5W	8W			
Rated Input Voltage(V)	AC220-240V				
Input Voltage(V)	AC230V				
LED Module Input	-				
Light Source	SMD2835				
SDCM	<6				
CCT(K)	1-CCT: 3000K/4000K/5000K/5700K, 3-CCT: 3000K+4000K+5700K				
CCT Selection DIP Switch	YES				
Luminous Flux	Non-DIM	1-CCT	330-375	590-650	-
	DIM		-	-	600-670
	Non-DIM	3-CCT	340-390	570-610	-
	DIM		-	-	580-615
CRI	≥80, ≥90				
Beam Angle (°)	120°				
UGR	-				
LED Driver	Built-in				
Dimming Option	NO		Yes		
Sensor	-				
Emergency Kits	-				
Electrical Class	Class II				
Ingress Protection (IP Rating)	IP65				
Impact Resistance (IK Rating)	IK06				
Product Finishing(Base)	White RAL 9016/Black RAL 9005				
Materials of Optics	PC				
Materials of Housing	PC				
Lifetime (hr)	50,000h				
Glow wire test (°C)	750°C				
Operating Temp. (°C)	-20°C ~45°C				
Storage Temp. (°C)	-20°C ~65°C				
Installation	Wall mount				

Measurement

Code	Dimension(mm)				Size(mm)
	A	B	C	D	
GUSAH-5W-WL125	Ø125	93.5	84	95	Ø125*95
GUSAH-8W-WL160	Ø160	93.5	110	95	Ø160*95

Driver Datasheet (Non-dimmable)

Total load wattage		5W	8W
Output	Output Voltage range	DC60-75V	
	Rated output current	65mA	105mA
	Line Regulation	±5%	
	Setup, Rise Time	≤0.5S	
	Flickering Index	3% NO RISK	
	Input	Input Voltage	AC200-240V
Rated Input Voltage(V)		230V	
Frequency		50/60Hz	
Input Current		≤0.03A	≤0.05A
Rated Input Current		≤0.03A	≤0.04A
Power Factor		0.9	
THD		-	
Efficiency		≥86%	
No load wattage		<0.5W	
Protection		Short circuit protection	Pass
	Over voltage protection	Pass	
	Over temperature protection	Pass	
Safety & EMC	Withstand voltage	-	
	Isolation Resistance	-	
	Inrush Current	IEC/EN61000-4-5(P<25W; L-N:500V,)	
	EMC Emission	EN55015, EN61000-3-2	
EMC Immunity	EN61000-4-2,3,4,5,6,8,11; EN61547		

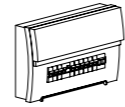
Driver Datasheet (Triac Dimmable)

Total load wattage		8W
Output	Output Voltage range	DC65-75V
	Rated output current	95mA
	Line Regulation	±5%
	Setup, Rise Time	≤0.5S
	Flickering Index	≤5% (NO RISK)
Input	Input Voltage	AC200-240V
	Rated Input Voltage(V)	230V
	Frequency	50/60Hz
	Input Current	0.05A
	Rated Input Current	0.04A
	Power Factor	0.88
	THD	-
	Efficiency	≥85%
Protection	No load wattage	<0.5W
	Short circuit protection	Pass
	Over voltage protection	Pass
Safety &EMC	Over temperature protection	Pass
	Withstand voltage	-
	Isolation Resistance	-
	Surge	EN61000-4-5(L-N:500V)
	EMC Emission	EN55015, EN61000-3-2
	EMC Immunity	EN61000-4-2,3,4,5,6,8,11; EN61547

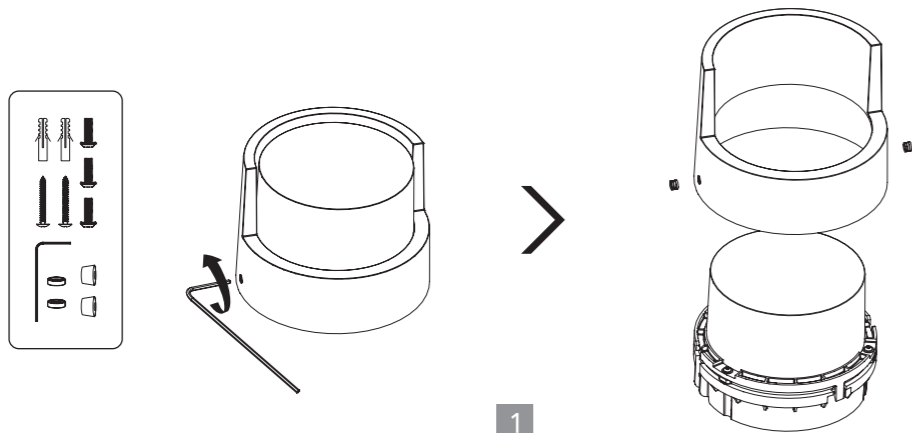
Installation Instruction

WARNING ⚡

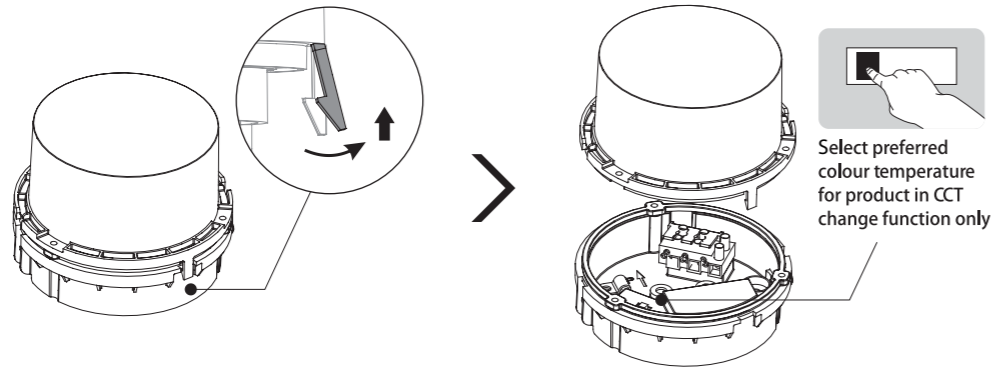
1. Switch off power supply before installation / maintenance.
2. Switch on after completing installation and examination of the circuit.
3. The wall light must be installed and maintained by professional electrician.



Wall mounted installation



1



2

