

# LINEAR HIGHBAY BT SERIES

50-300W SENSOR &  
EMERGENCY KIT OPTIONS



## CONSTRUCTION

Extruded pure aluminum heatsink with excellent heat dissipation

## OPTICS

Available with 4 different beam angles for low & high ceiling and aisle application. Thanks to considerate mechanical design that lens is also changeable in field.

## FLEXIBILITY

With a large junction box in the middle and toolless entry, many accessories like emergency kit, sensor or control module can be installed easily.

## INSTALLATION

Universal mounting options: Hanging rope kit, surface-mount kit.



## Order Combo

Series	Power	Color temperature	Beam Angle	DIM	Voltage	CRI	Finish	Mounting	Sensor	Emergency
BT SERIES	50W	4000K	90°	1-10V	120-277V	80+	BLACK	Hanging rope <sup>①</sup>	MTOCC <sup>②</sup>	EM <sup>③</sup>
LINEAR HIGHBAY	100w 150w 200w 300w	5000K	120°  60*100°  40*90°		0-10V with 12V AUX			Surface-mount kit		

## Lumen Table

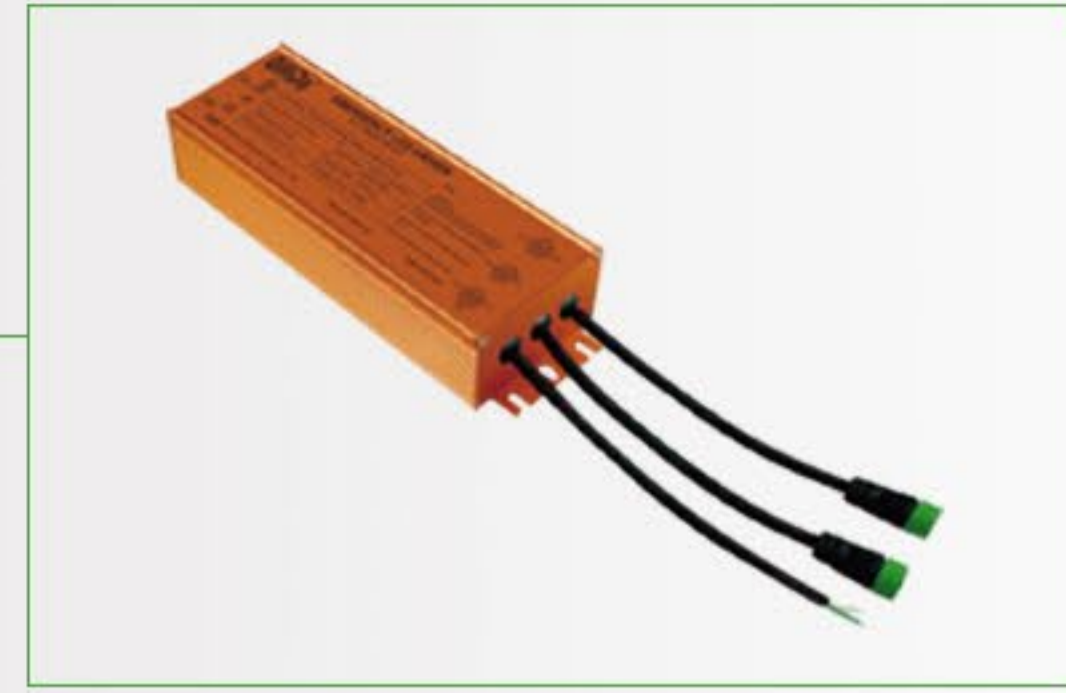
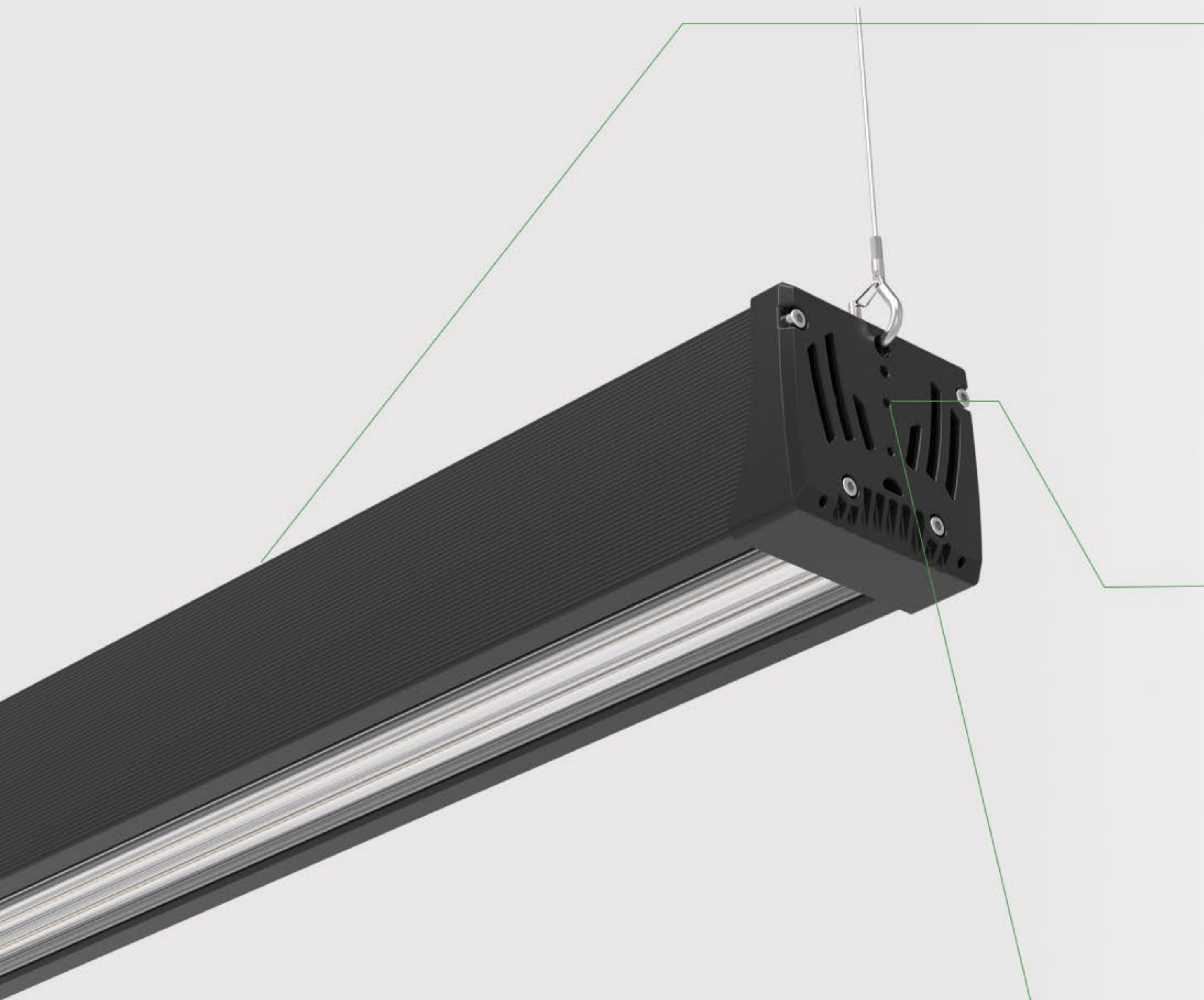
Model No.	Power	Beam Angle	4000K Ra80		5000K Ra80	
			Lumens	LPW	Lumens	LPW
GBLIN-50W-BT	50	90°	6790	136	7000	140
		120°	6596	132	6800	136
		60*100°				
		40*90°	6596	132	6800	136
GBLIN-100W-BT	100	90°	13580	136	14000	140
		120°	13192	132	13600	136
		60*100°				
		40*90°	13192	132	13600	136
GBLIN-150W-BT	150	90°	20370	136	21000	140
		120°	19788	132	20400	136
		60*100°				
		40*90°	19788	132	20400	136
GBLIN-200W-BT	200	90°	27160	136	28000	140
		120°	26384	132	27200	136
		60*100°				
		40*90°	26384	132	27200	136
GBLIN-300W-BT	300	90°	33950	136	35000	140
		120°	32980	132	34000	136
		60*100°				
		40*90°	32980	132	34000	136

Above test results are based on initial stage and with AC230V input.

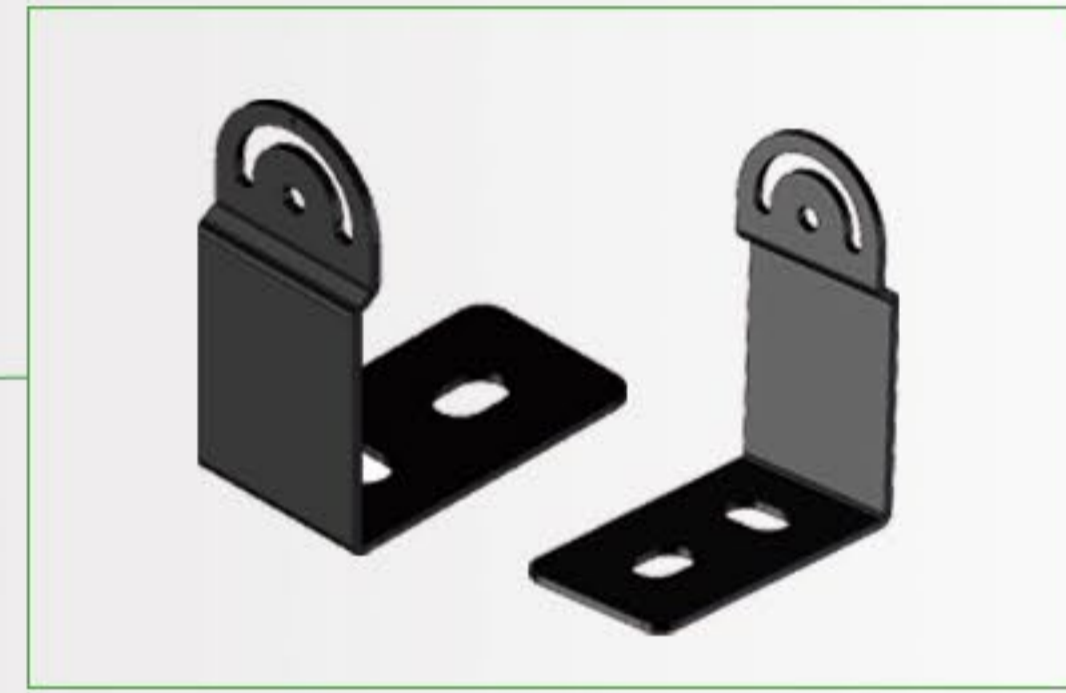
## Remarks

- ① Standard version with non-adjustable hanging rope 1M , surface mount kit order separately.
- ② MTOCC: 1-10V version with 120-277V microwave sensor kit, 054V max 15m hight.  
0-10V with 12V AUX version with DC12V microwave sensor kit, HD06V max 12m hight.
- ③ EM: 10W output 180 mins, Billda emergency kit with EN61347 CE certificate.

# Accessories



Emergency Kit

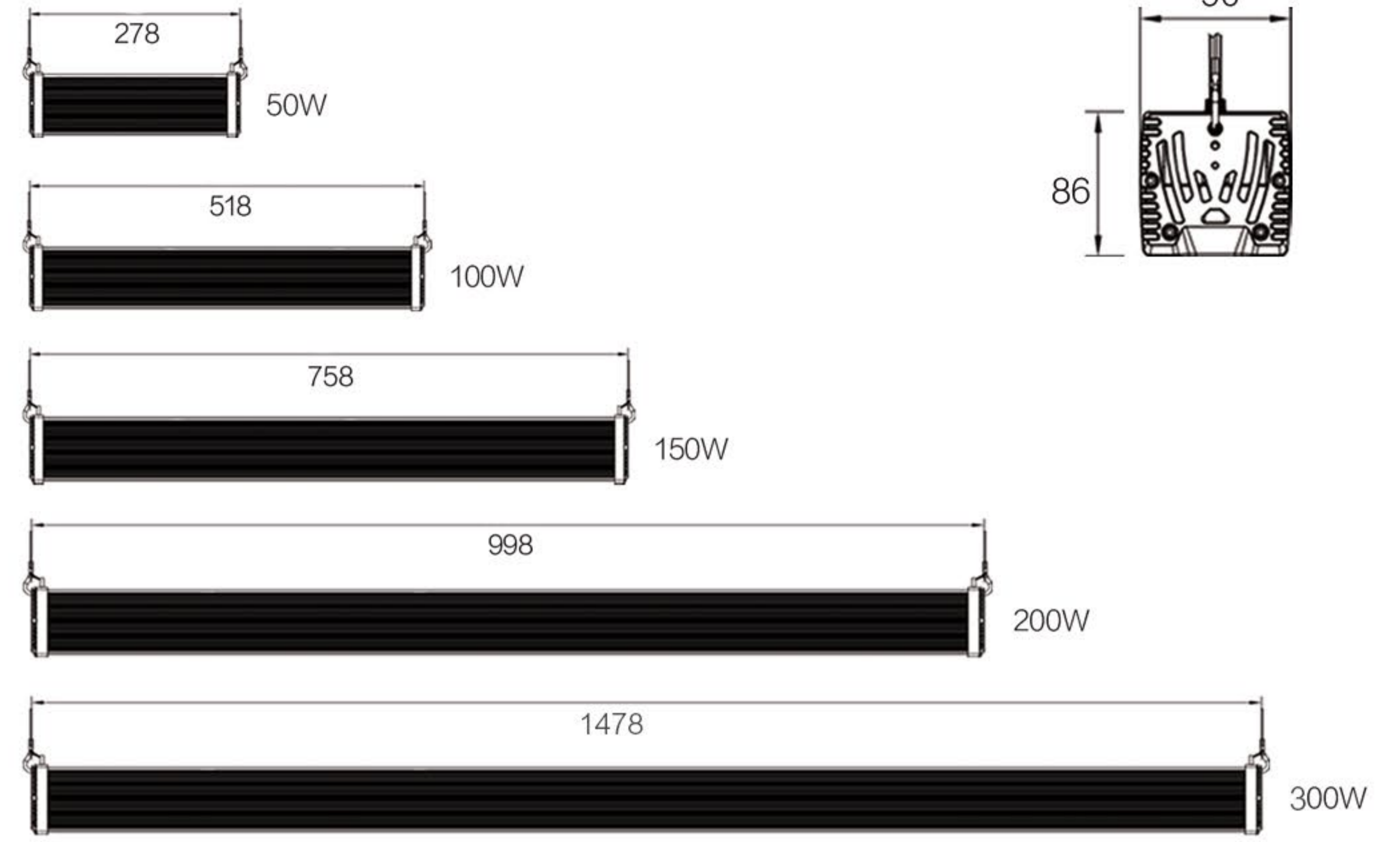


Surface mount kit



Surface mount kit

# Dimension (mm)



# Installation

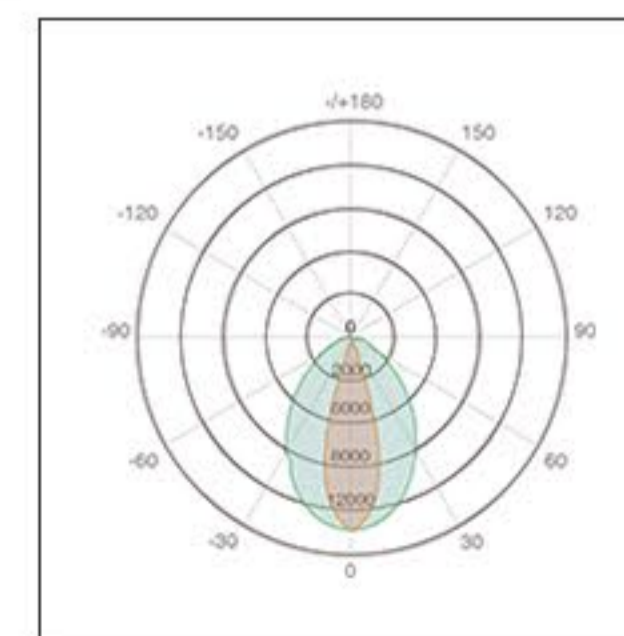


Rope Hanging

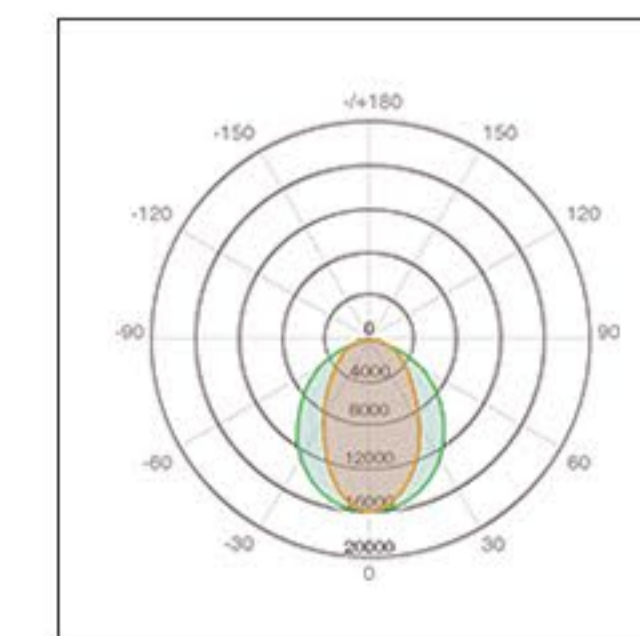


Surface Mount

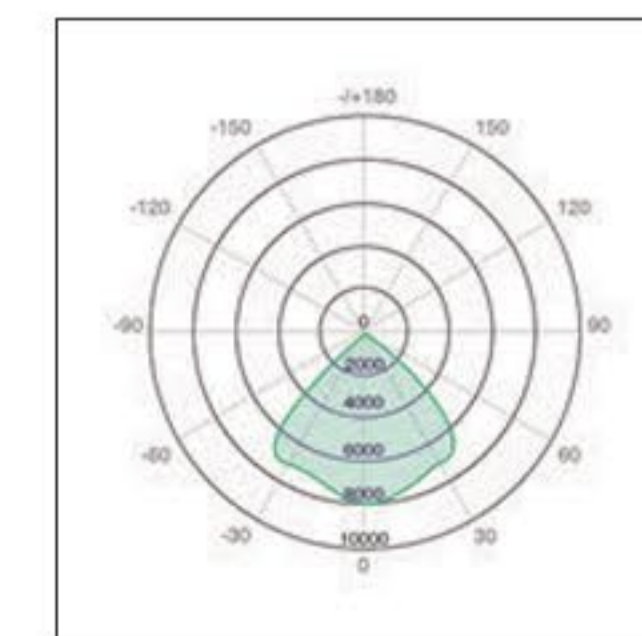
# Optical



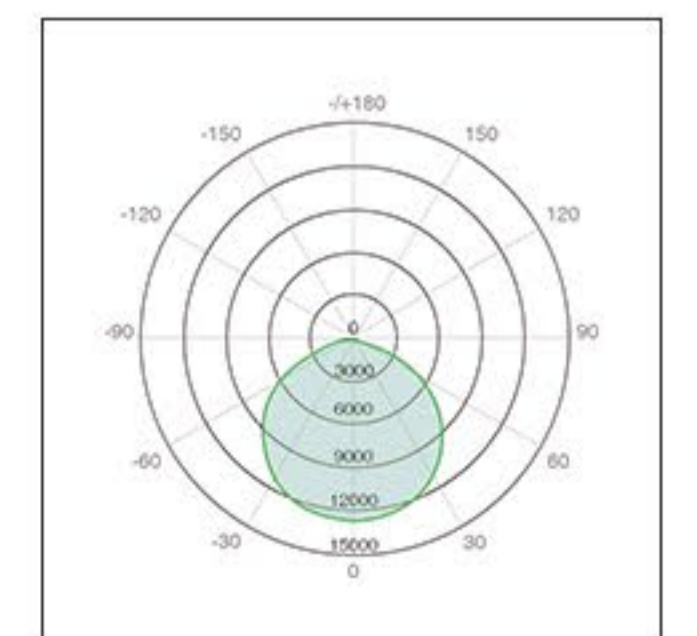
40x90°



60x100°



90°



120°