

SL G2 SERIES LED STREET LIGHT 30W/50W

30-50W SENSOR OPTION



CONSTRUCTION

Compact and low-profile design with minimum wind resistance.

Heatsink

ONE-PIECE die-cast aluminum heatsink ensure solid heat conduction during all service time.

Strength

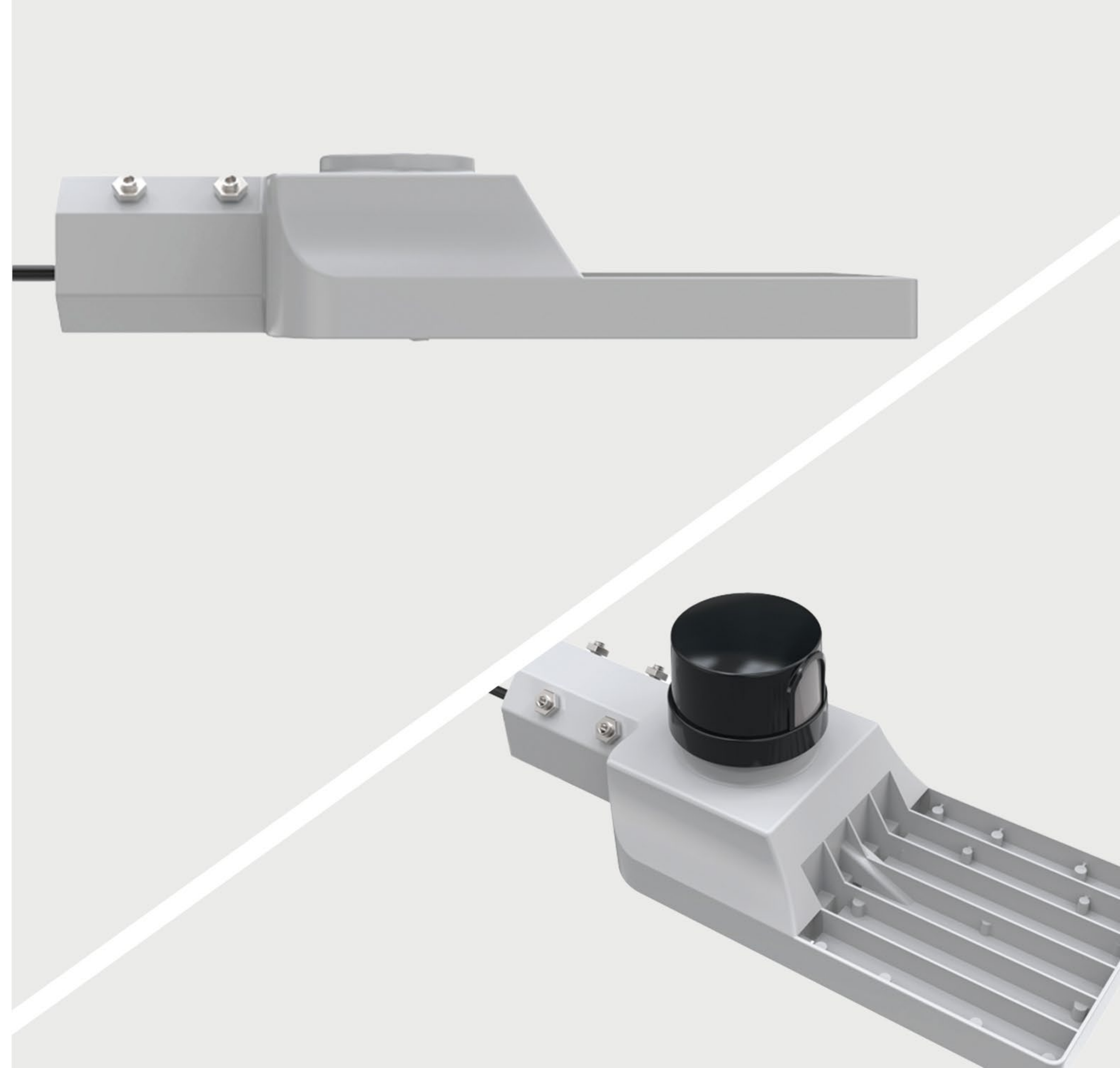
Die-casted bracket with 3G vibration test suitable for application near train station, bridge and so on.

Weather-resistance

High quality powder-coating layer with ability to pass 240 hours salty spray test.

Thunder-storm

10KV/KA surge protection device with strong resistance to thunder strike.



Order Combo

Series	Power	Color temperature	Beam Angle	DIM	Voltage	CRI	Finish	Mounting	Sensor	Accessory
SL G2	30W	4000K	Type III	NO	120-277V	80	GREY	SLIP-FITTER	JL-205C ^①	JL-208-16 ^②
STREET LIGHT	50W	6500K	120°				BLACK			JL-208-IP66

Lumen Table

Model No.	Power	Beam Angle	4000K Ra72		6500K Ra72	
			Lumens	LPW	Lumens	LPW
GBSL-30W-G2	30W	120° / Type III	3800	126	4000	133
GBSL-50W-G2	50W	120° / Type III	6300	126	6700	134

Above test is based on initial stage tested with AC277V input.

Remarks

① JL-205C: 3PIN daylight sensor: ON/OFF / AC120-277V / 1000W Tungsten / UL / IP67/ Blue, Long-join (Field-installed by end-user)

② JL-208-16: Black short-circuit cover for 3PIN sockets JL-230-16, Long-join (Factory pre-installed)

JL-208-IP66: 3PIN NEMA socket JL-230-16: 100-480VAC / UL E188110 / IP65 Long-join (Factory pre-installed)

Accessories



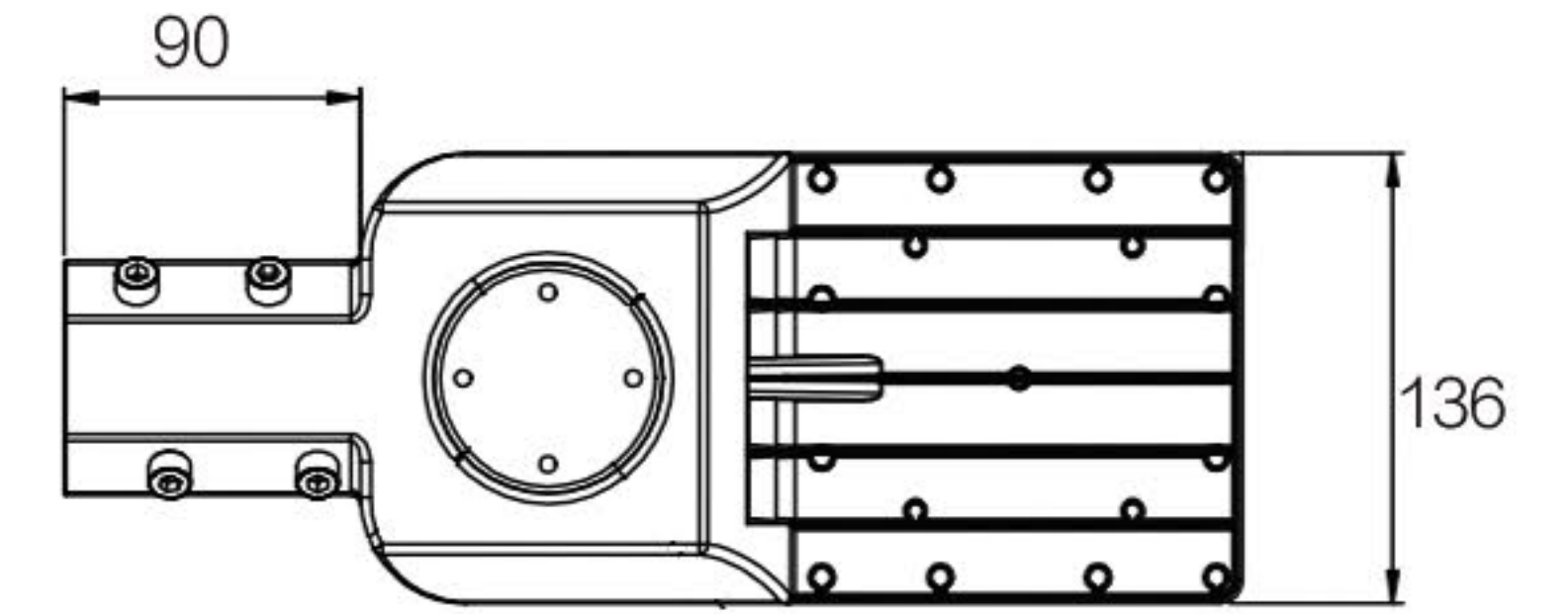
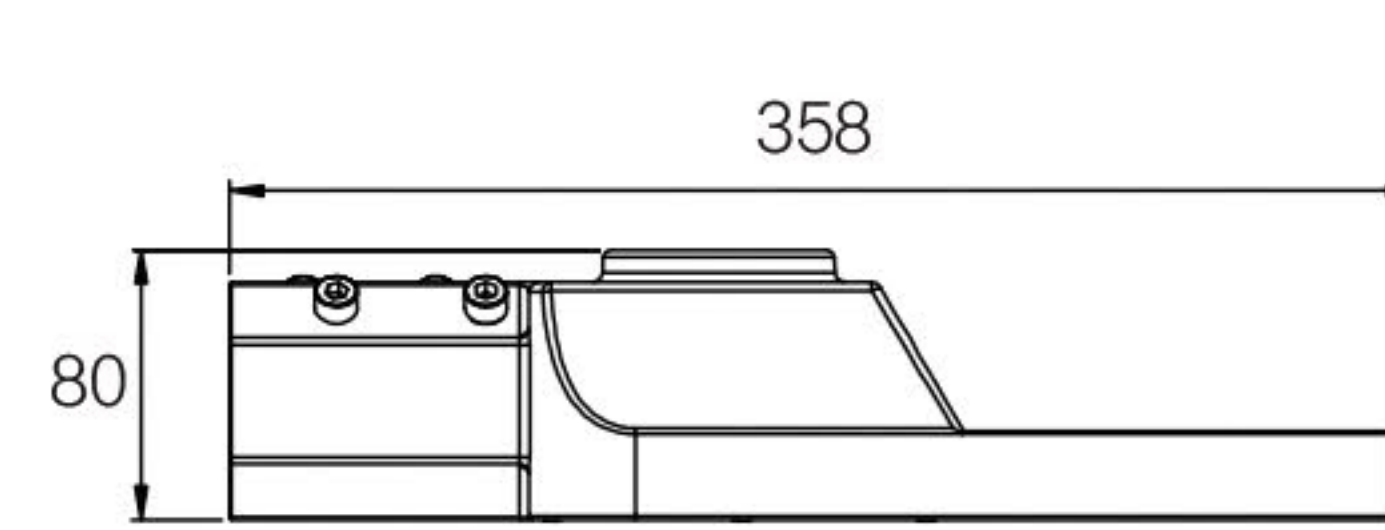
Daylight Sensor



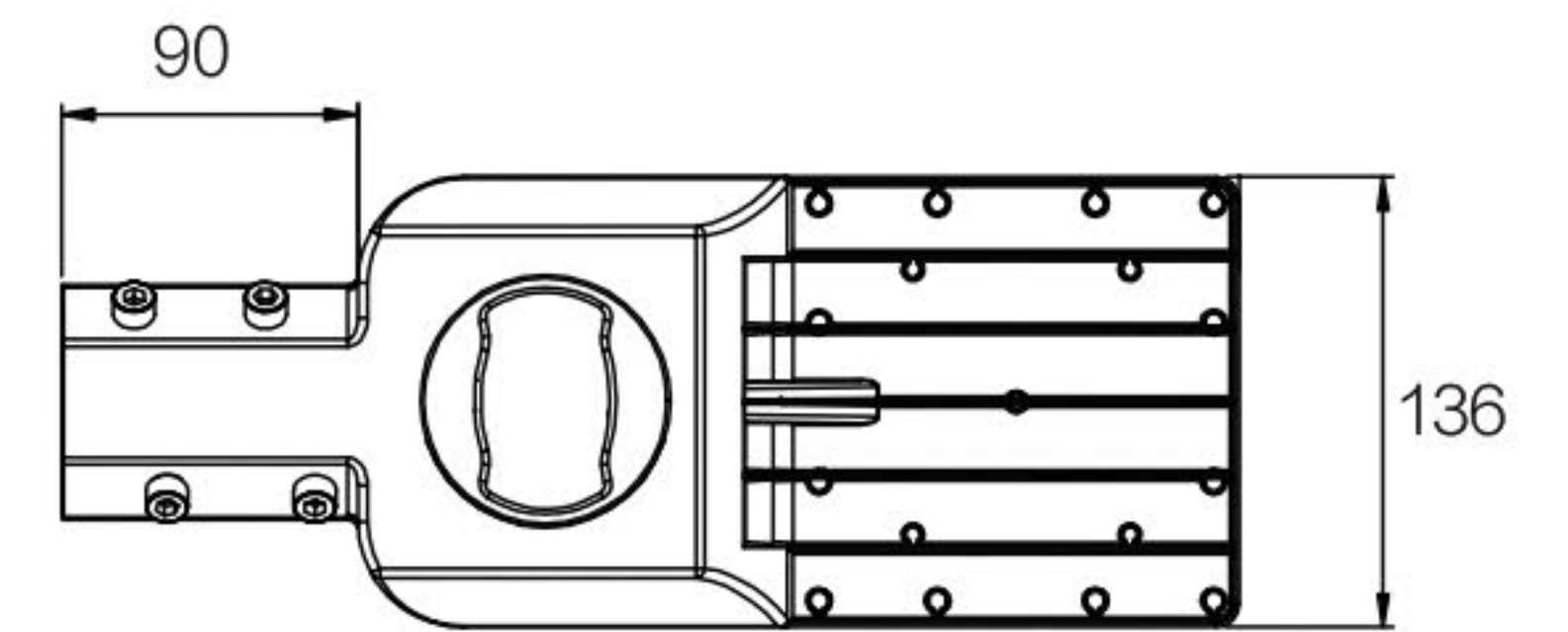
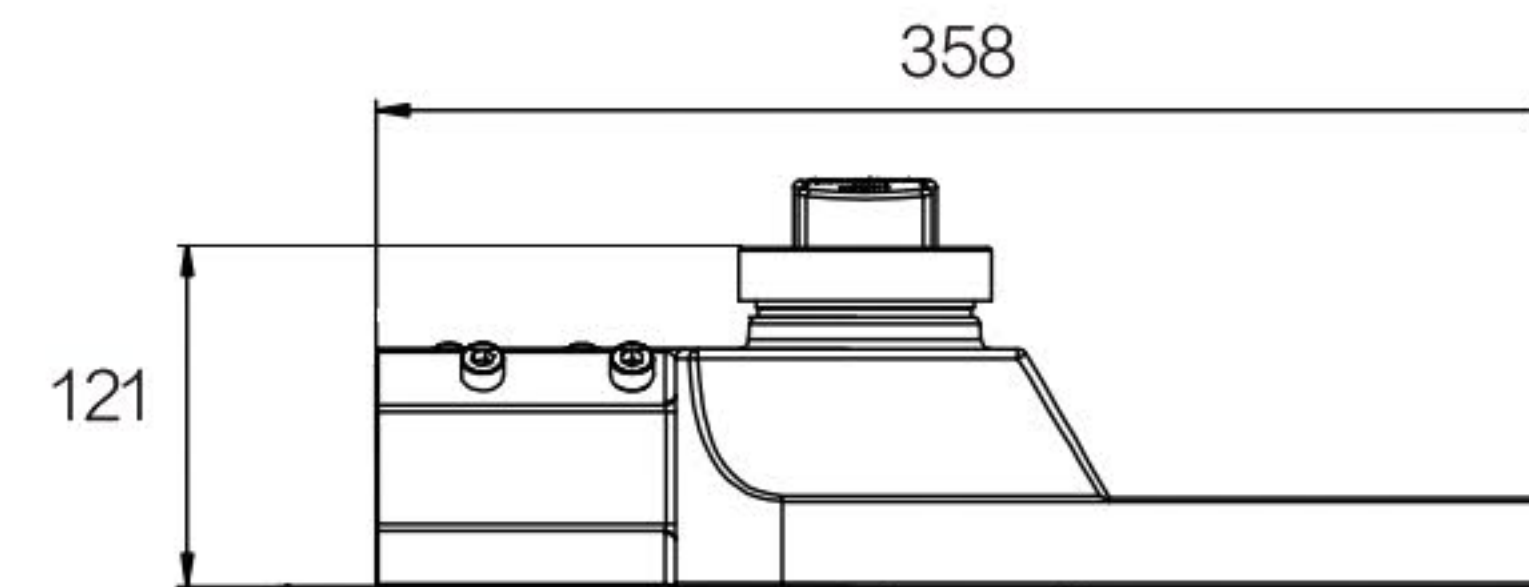
10KA SPD

Dimension (mm)

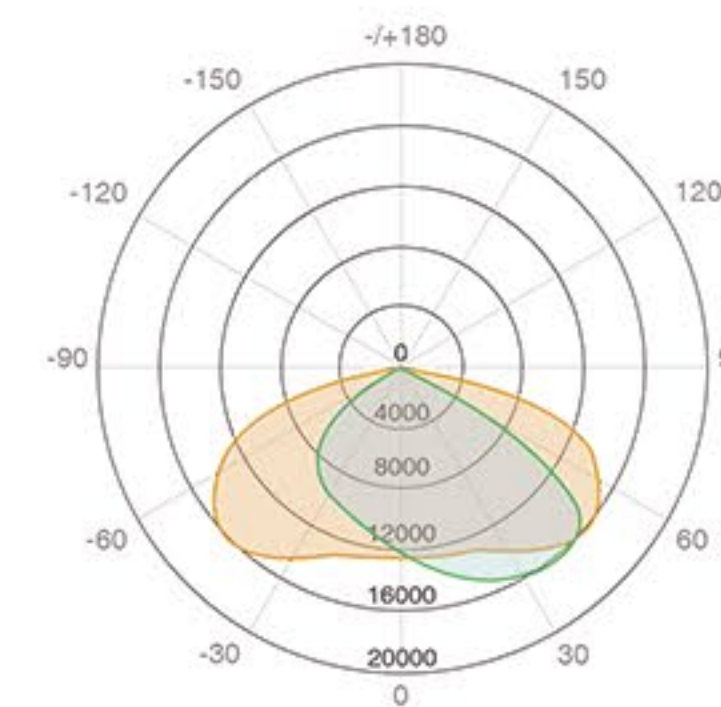
30/50W without black short-circuit cover installed:



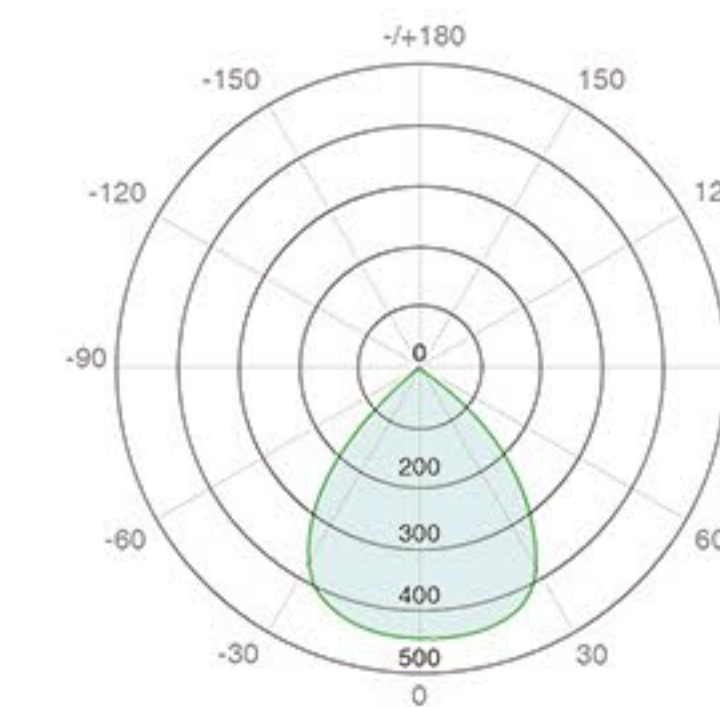
30/50W with black short-circuit cover installed:



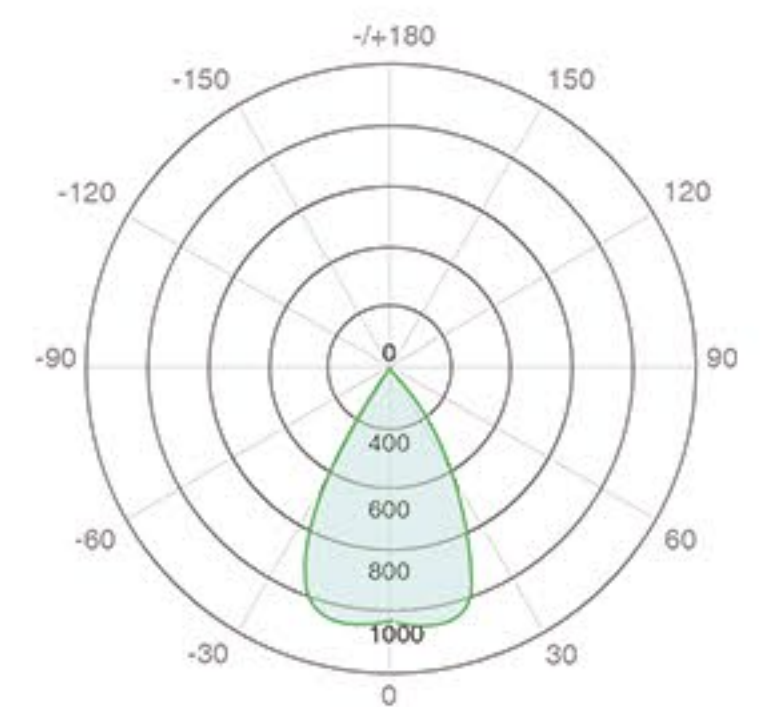
Optical



TYPE III



90°



60°