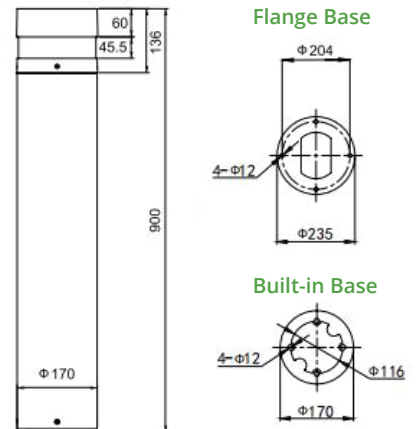


Bollard Light Industry Series - GY321



- UV proof lamp cover with sealed lamp housing
- Class II electric insulation
- High purity grade aluminium reflector
- High quality die-casting aluminium housing with electrostatic powder coating
- PMMA Diffuser
- High lumen output 110lm/W
- IP65 Rated for outdoor environment
- Power Voltage: 110 - 240V 50/60Hz
- Applications include gardens, lawns, parks, and commercial sites



Specifications

Colour Range	3000K/4000K/5000K/6000K
Power Consumption	10W / 12W / 20W
Product Dimensions (mm)	$\Phi 170 * 900$ (L*W*H)
Lumen	1100lm/1320lm/2200lm
Input Voltage	AC 100-240V
Beam angle	360°
CRI	>80
Power Factor	>0.95
LED	Cree
Driver	Class II Australia Certified Driver
Housing Color	Black / Grey



Measurement

Model	Wattage	Dimension(mm)	Lumen	CCT Colour
GYIND321-10W-900	10W	$\Phi 170 * 900$	1100lm	3000K/4000K/5000K/6000K
GYIND321-12W-900	12W		1320lm	
GYIND321-20W-900	20W		2200lm	